

HDC 32A TOBO 1M32G

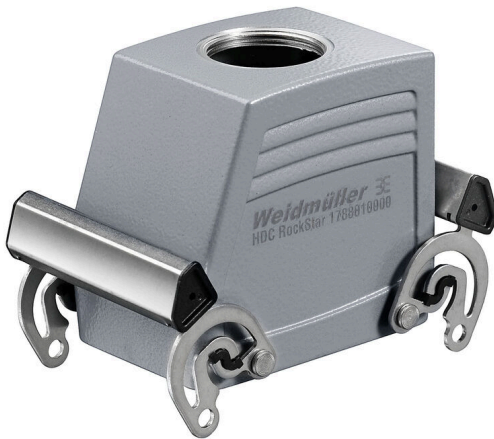
Weidmüller Interface GmbH & Co. KG

Klingenbergstraße 26

D-32758 Detmold

Germany

www.weidmueller.com



The special die-cast alloy and the multi-layered surface sealing provide complete protection for the HDC housings.

The cleverly designed interlock system is manufactured from stainless steel. This guarantees a long lifespan with high resistance to corrosion and impact.

The housing interlock system provides integrated safety. Our unique, patented spring system provides the housing interlock with a secure grip and prevents accidental opening.

The laser marking allows for easy and quick identification. Each housing is permanently labelled with a laser marking so that each product can be quickly designated and positioned.

Weidmüller RockStar® IP 65 / NEMA Type 4X housings - your first choice for industrial housings with IP 65 protection.

General ordering data

Version	HDC enclosures, Installation size: 7, Protection degree: IP65, in plugged condition, Cable entry from top, Plug housing, Side-locking clamp on upper side, Standard, Size of cable entries: M 32
Order No.	1788010000
Type	HDC 32A TOBO 1M32G
GTIN (EAN)	4032248205455
Qty.	1 items

HDC 32A TOBO 1M32G

Weidmüller Interface GmbH & Co. KG
 Klingenbergstraße 26
 D-32758 Detmold
 Germany

www.weidmueller.com

Technical data

Approvals

Approvals



ROHS	Conform
UL File Number Search	UL Website
Certificate No. (cURus)	E92202

Dimensions and weights

Height	75 mm	Height (inches)	2.9527 inch
Width	68 mm	Width (inches)	2.6772 inch
Net weight	325 g		

Temperatures

Limit temperature	-40 °C ... 125 °C
-------------------	-------------------

Environmental Product Compliance

RoHS Compliance Status	Compliant without exemption
REACH SVHC	Potassium perfluorobutane sulfonate 29420-49-3
SCIP	e98b2b24-ba23-41bf-8d19-0dda3647412f

Chemical resistance	Substance	Acetone
	Chemical resistance	Conditionally resistant
	Substance	Drilling oil
	Chemical resistance	Resistant
	Substance	Diesel
	Chemical resistance	Resistant
	Substance	Ethyl alcohol
	Chemical resistance	Resistant
	Substance	Transmission oil
	Chemical resistance	Resistant
	Substance	Hydraulic oil
	Chemical resistance	Resistant
	Substance	Coolant
	Chemical resistance	Resistant
	Substance	Petroleum benzine
	Chemical resistance	Resistant
	Substance	Sweat
	Chemical resistance	Resistant
	Substance	Premium gasoline
	Chemical resistance	Conditionally resistant
Substance	Water	
Chemical resistance	Resistant	
Substance	UV	
Chemical resistance	Unstable	
Substance	Ozone	
Chemical resistance	Unstable	

Dimensions

Cable entry	w. thread	Width housing C	56 mm
Total length housing	82 mm	Height of housing B	77 mm

HDC 32A TOBO 1M32G

Weidmüller Interface GmbH & Co. KG
 Klingenbergstraße 26
 D-32758 Detmold
 Germany

www.weidmueller.com

Technical data

General data

Surface finish	Powder coating	Protection degree	IP65, in plugged condition
----------------	----------------	-------------------	----------------------------

Version

Size of cable entries	M 32	Top part/bottom part/lid	upper part
Cover	without cover	Tightening torque	1.2 Nm
Number of cable entry on top	1	Number of cable entry sideways	0
Design of housing	Cable entry from top, Plug housing	Design of locking system	Side-locking clamp on upper side
Design	Standard	Installation size	7
Cable entry	w. thread	Type	Plug
Clamp version	Side-locking clamp	Sealing	no sealing
Internal thread	M 32	Colour (RAL)	RAL 7035
BG	7	Suitable for ModuPlug®	No

Classifications

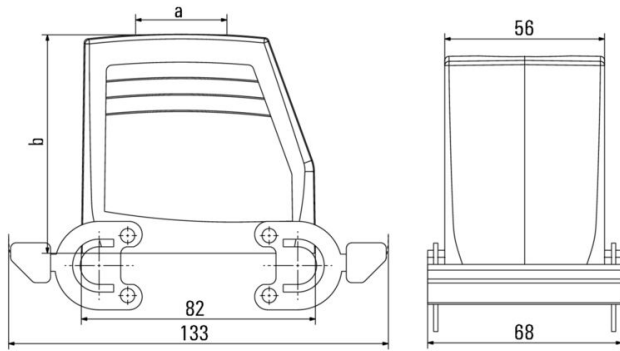
ETIM 8.0	EC000437	ETIM 9.0	EC000437
ETIM 10.0	EC000437	ECLASS 14.0	27-44-02-02
ECLASS 15.0	27-44-02-02		

HDC 32A TOBO 1M32G

Weidmüller Interface GmbH & Co. KG
Klingenbergstraße 26
D-32758 Detmold
Germany

www.weidmueller.com

Drawings



HDC 32A TOBO 1M32G

Weidmüller Interface GmbH & Co. KG
 Klingenbergstraße 26
 D-32758 Detmold
 Germany

www.weidmueller.com

Accessories

Cover



The special die-cast alloy and the multi-layered surface sealing provide complete protection for the HDC housings.

The cleverly designed interlock system is manufactured from stainless steel. This guarantees a long lifespan with high resistance to corrosion and impact.

The housing interlock system provides integrated safety. Our unique, patented spring system provides the housing interlock with a secure grip and prevents accidental opening.

The laser marking allows for easy and quick identification. Each housing is permanently labelled with a laser marking so that each product can be quickly designated and positioned.

Weidmüller RockStar® IP 65 / NEMA Type 4X housings - your first choice for industrial housings with IP 65 protection.

General ordering data

Type	HDC 32A DMDQ 2QB	Version	
Order No.	1665930000		HDC enclosures, Installation size: 7, Protection degree: IP65, in
GTIN (EAN)	4008190422967		plugged condition, Cover for upper part of housing, Side-locking
Qty.	1 ST		clamp on lower side, Standard, Size of cable entries: none

IP68 version



In addition to the extensive range of enclosures, Weidmüller offers a variety of cable glands for a wide range of applications.

The cable glands made of brass, plastic and stainless steel meet the most various IP protection classes to suit any industrial enclosure.

Depending on the series of cable glands and the application, the cable glands are approved and tested according to VDE, UL, UR, cULus, DNV GL or EN 45545.

General ordering data

Type	VG M32 - MS 68	Version	
Order No.	1772240000		VG MS (standard brass cable gland), Cable glands, straight, M 32, 9
GTIN (EAN)	4032248129898		mm, OD min. 13 - OD max. 18 mm, IP54, IP66, IP67, IP68 - 5 bar (30
Qty.	10 ST		min.), IP69K, Brass, nickel-plated
Type	VG M32 - K 68	Version	
Order No.	1772320000		VG K (standard plastic cable gland), Cable glands, straight, M 32, 15
GTIN (EAN)	4032248129980		mm, OD min. 18 - OD max. 25 mm, IP54, IP66, IP67, IP68 - 5 bar (30
Qty.	20 ST		min.), Polyamide 6