

SAIEND PB M12 4P B-COD

Weidmüller Interface GmbH & Co. KG
Klingenbergstraße 26
D-32758 Detmold
Germany

www.weidmueller.com



Weidmüller offers a wide range of tools and accessories for sensor-actuator cabling.

General ordering data

Version	Protected component assemblies, SAI Active, Accessories, Sensor/Actuator plug-in connector
Order No.	1784770000
Type	SAIEND PB M12 4P B-COD
GTIN (EAN)	4032248191857
Qty.	1 items
Delivery status	Discontinued
Available until	2025-11-29T00:00:00+01:00

SAIEND PB M12 4P B-COD

Weidmüller Interface GmbH & Co. KG
 Klingenbergstraße 26
 D-32758 Detmold
 Germany

www.weidmueller.com

Technical data

Approvals

Approvals



ROHS Conform

Dimensions and weights

Net weight 8.8 g

Temperatures

Storage temperature Operating temperature -25 °C...85 °C

Environmental Product Compliance

RoHS Compliance Status Compliant with exemption
 RoHS Exemption (if applicable/known) 6c
 REACH SVHC Lead 7439-92-1
 SCIP 1c533b66-fcff-4da5-b89f-fd55fbf5cb55

Technical specifications for cable

Number of poles 4

General technical data

Connection thread	M12	Version	pin, straight
Protection degree	IP67	Plugging cycles	≥ 100
Pollution severity	3		

Classifications

ETIM 8.0	EC000448	ETIM 9.0	EC000448
ETIM 10.0	EC000448	ECLASS 14.0	19-07-04-03
ECLASS 15.0	19-07-04-03		

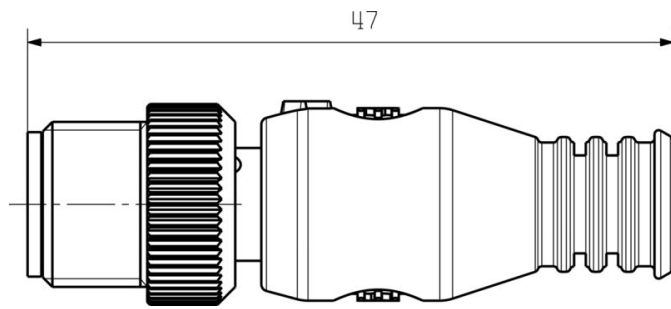
SAIEND PB M12 4P B-COD

Weidmüller Interface GmbH & Co. KG
Klingenbergstraße 26
D-32758 Detmold
Germany

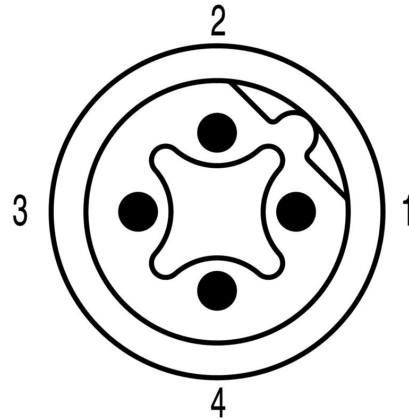
www.weidmueller.com

Drawings

Dimensioned drawing



Pole scheme



Wiring diagram

