

## SAIEND CAN-M12 5P A-COD

**Weidmüller Interface GmbH & Co. KG**  
Klingenbergstraße 26  
D-32758 Detmold  
Germany

[www.weidmueller.com](http://www.weidmueller.com)



Weidmüller offers a wide range of tools and accessories for sensor-actuator cabling.

### General ordering data

Version	Protected component assemblies, SAI Active, Accessories, Sensor/Actuator plug-in connector
Order No.	<a href="#">1784760000</a>
Type	SAIEND CAN-M12 5P A-COD
GTIN (EAN)	4032248191840
Qty.	1 items

**SAIEND CAN-M12 5P A-COD**

**Weidmüller Interface GmbH & Co. KG**  
 Klingenbergstraße 26  
 D-32758 Detmold  
 Germany

www.weidmueller.com

**Technical data**

**Approvals**

Approvals



ROHS Conform

**Dimensions and weights**

Net weight 10 g

**Temperatures**

Storage temperature Operating temperature -25 °C...85 °C

**Environmental Product Compliance**

RoHS Compliance Status Compliant with exemption  
 RoHS Exemption (if applicable/known) 6c  
 REACH SVHC Lead 7439-92-1  
 SCIP 1c533b66-fcff-4da5-b89f-fd55fbf5cb55

**Technical specifications for cable**

Number of poles 5

**General technical data**

Connection thread	M12	Version	pin, straight
Protection degree	IP67, IP68	Plugging cycles	≥ 100
Pollution severity	3		

**Classifications**

ETIM 8.0	EC000448	ETIM 9.0	EC000448
ETIM 10.0	EC000448	ECLASS 14.0	19-07-04-03
ECLASS 15.0	19-07-04-03		

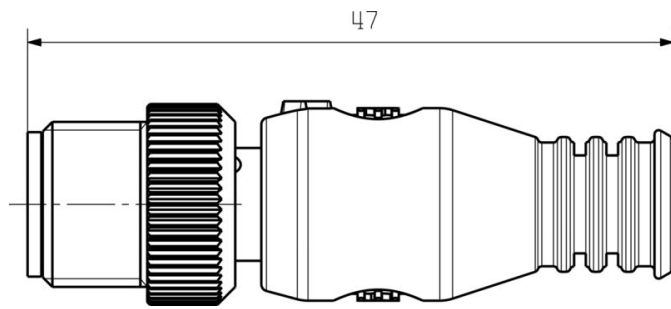
**SAIEND CAN-M12 5P A-COD**

**Weidmüller Interface GmbH & Co. KG**  
Klingenbergstraße 26  
D-32758 Detmold  
Germany

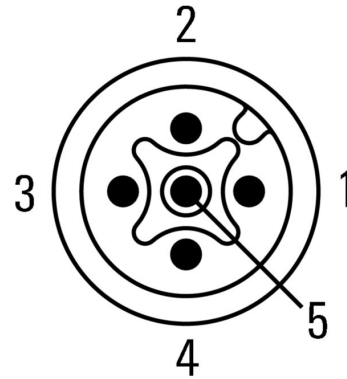
[www.weidmueller.com](http://www.weidmueller.com)

**Drawings**

**Dimensioned drawing**



**Pole scheme**



**Wiring diagram**

