

SAI-4-M 4P M8

Weidmüller Interface GmbH & Co. KG

Klingenbergstraße 26

D-32758 Detmold

Germany

www.weidmueller.com



The new M8 hood distribution boxes are extremely compact and feature a comfortable PUSH IN connection. This allows a quick, safe and efficient cabling in the field.

A modular system is available for our hood distributors.

Individual markers offer the possibility of individual labeling of the distributor and the I/O sockets.

- 3- and 4-pole M8 I/O sockets
- 4, 6, 8 or 10 I/O sockets
- Protection class IP 67
- UL approval

General ordering data

Version	Hood version, M8, 30 V, , LED: Yes, LED initiator: Yes, Wiring type:
Order No.	1784700000
Type	SAI-4-M 4P M8
GTIN (EAN)	4032248191512
Qty.	1 items
Delivery status	Discontinued
Available until	2022-09-30T00:00:00+02:00
Alternative product	SAI-04Z-VPPP-4A-M08L-PNP

SAI-4-M 4P M8

Weidmüller Interface GmbH & Co. KG
Klingenbergstraße 26
D-32758 Detmold
Germany

www.weidmueller.com

Technical data

Approvals

Approvals



ROHS Conform

UL File Number Search [UL Website](#)

Certificate No. (cURus) E92202

Dimensions and weights

Depth	107 mm	Depth (inches)	4.2126 inch
Height	62.2 mm	Height (inches)	2.4488 inch
Width	48 mm	Width (inches)	1.8898 inch
Net weight	220 g		

Temperatures

Operating temperature -20 - 80°C

Environmental Product Compliance

RoHS Compliance Status	Compliant
REACH SVHC	Lead 7439-92-1
SCIP	4060c755-8d0b-4d43-bdb3-4ffabe9d7497

Connection data

Clamping range, min.	0.08 mm ²	Clamping range, max.	1 mm ²
Storage space	Standard	Distributor outlet	Hood version
Connection type PE	Screw connection		

Electrical data

Rated voltage, min.	10 V	Rated voltage, max.	30 V
Test voltage	1 kV	Max. current-carrying capacity per slot	2 A
Total current	8 A	Current per signal	2 A
Insulation resistance	109 Ω		

General technical data

Protection degree	IP68	Number of poles	4
Number of contact sockets	4	Connection thread	M8
Pollution severity	3	Fire behaviour	V-0
LED	Yes	LED initiator	Yes
LED colour for indicating operation	green	LED colour for I/O function	yellow

Material data

Material O-Ring	FKM	Housing main material	PBT
Material of distributor	Plastic	Housing colour	black (similar to RAL 9005)
Screw socket	Nickel-plated CuZn	Contact material	CuZn
Contact surface	Gold-plated	Contact carrier material	PBT (UL 94 V0)

SAI-4-M 4P M8

Weidmüller Interface GmbH & Co. KG
Klingenbergstraße 26
D-32758 Detmold
Germany

www.weidmueller.com

Technical data**Technical data cable**

Number of poles	4	Suitable for cable carriers	No
-----------------	---	-----------------------------	----

Classifications

ETIM 8.0	EC003558	ETIM 9.0	EC003558
ETIM 10.0	EC003558	ECLASS 14.0	27-44-01-11
ECLASS 15.0	27-44-01-11		

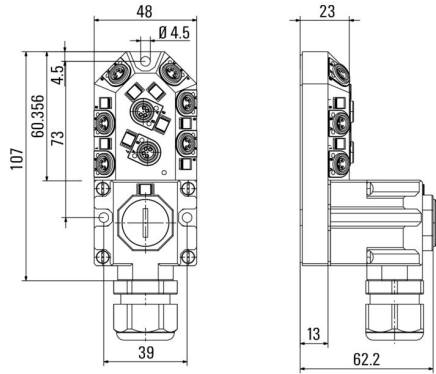
SAI-4-M 4P M8

Weidmüller Interface GmbH & Co. KG
Klingenbergstraße 26
D-32758 Detmold
Germany

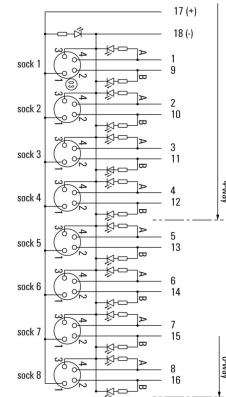
Drawings

www.weidmueller.com

Dimensioned drawing



Wiring diagram



SAI-4-M 4P M8

Weidmüller Interface GmbH & Co. KG

Klingenbergstraße 26

D-32758 Detmold

Germany

www.weidmueller.com

Accessories

Screwty® cable gland tool with torque function



The ideal tool for any application

Screwty® is the ideal, all-purpose tool for tightening all common sensor and actuator cables. Even difficult-to-reach round plugs are accessible using the Screwty®. A simple turning movement tightens and loosens the connectors without the need for excessive force. The Screwty® is a unique and global solution since it fits with most cables and plugs from other vendors (over 90 %). The Screwty® consists of a handle with a conventional 1/4" adapter. Thus it can be used for all sizes: for M12 and M8 round plug-in connectors, and for M12F and M8F customisable plugs and sockets, as well as for all M23 plugs and sockets.

General ordering data

Type	SCREWTY SET -DM	Version	
Order No.	1920000000		Cable gland tool for M8, M12 lines and connectors
GTIN (EAN)	4032248436859		
Qty.	1 ST		

M8



Protective caps protect unassigned plug-in stations against external influences.

General ordering data

Type	SAI-SK M8	Version	
Order No.	1802760000		Protected component assemblies, Protective cap
GTIN (EAN)	4032248257379		
Qty.	50 ST		

SAI-4-M 4P M8

Weidmüller Interface GmbH & Co. KG
 Klingenbergstraße 26
 D-32758 Detmold
 Germany

Accessories

www.weidmueller.com

Blank



MultiFit is the Weidmüller marker system used for other makes of terminals. Similar to the Weidmüller Dekafix, the markers of the MultiFit family are available ready-for-use with standard printing.

We recommend to carry out a test with sample markers on the terminals used when using MultiFit for the first time.

- One marker, suitable for different makes of terminals.
- Ready-to-use markers with standard printing
- Blank markers for printing with the PrintJet CONNECT or Plotter
- Delivery of individually printed markers according to customer CAE data or specifications
- One marking system for all applications

For custom printing: Please send us a file of our labeling software M-Print PRO or M-Print PRO Online (without installation) for your labeling specifications.

General ordering data

Type	MFF 10/6 MC NE WS	Version	
Order No.	1856780000		MultiFit, Terminal marker, 10 x 6 mm, Pitch in mm (P): 6.00 Festo,
GTIN (EAN)	4032248400881		white
Qty.	600 ST		