

**SAI-Y-5S PARA 2M12**

**Weidmüller Interface GmbH & Co. KG**  
Klingenbergstraße 26  
D-32758 Detmold  
Germany

www.weidmueller.com



**General ordering data**

Version	Y-plug, M12, Signal distributor
Order No.	<a href="#">1783430000</a>
Type	SAI-Y-5S PARA 2M12
GTIN (EAN)	4032248183364
Qty.	1 items

## SAI-Y-5S PARA 2M12

Weidmüller Interface GmbH &amp; Co. KG

Klingenbergstraße 26

D-32758 Detmold

Germany

www.weidmueller.com

## Technical data

## Approvals

Approvals



ROHS Conform

## Dimensions and weights

Net weight 20.24 g

## Environmental Product Compliance

RoHS Compliance Status Compliant without exemption

REACH SVHC No SVHC above 0.1 wt%

## Connection data

Group outlet - plug-in connector	M12 pin	Single outlet 1 - plug-in connector	M12 socket
Single outlet 2 - plug-in connector	M12 socket	Tightening torque	M12: 0.8 - 1.2 Nm

## Technical data customisable plug-in connectors

Number of poles	5	Coding	A-coded
Contact surface	Au (Gold)	Housing main material	PUR
Nominal voltage	24 V	Nominal current	4 A
Protection degree	IP67	Pollution severity	3
Shield connection	No	Threaded ring material	Diecast zinc
Temperature range of housing	-25...+90 °C		

## Standards

Connector standard IEC 61076-2-101

## General data

Number of poles	5	Coding	A-coded
Connection thread	M12	Contact material, socket	CuZn
Contact material, pin	CuZn	Contact surface	Au (Gold)
Tightening torque	0.8 Nm	Housing main material	PUR
Nominal voltage	24 V	Nominal current	4 A
Protection degree	IP67	Pollution severity	3
Connection 1	M12/M12	Connection 2	Screw
Shield connection	No	Temperature range of housing	-25...+90 °C
Conductor O.D.	-		

## Classifications

ETIM 8.0	EC002925	ETIM 9.0	EC002925
ETIM 10.0	EC002925	ECLASS 14.0	27-44-01-06
ECLASS 15.0	27-44-01-06		

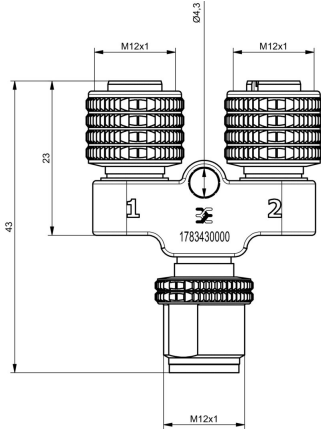
**SAI-Y-5S PARA 2M12**

**Weidmüller Interface GmbH & Co. KG**  
 Klingenbergstraße 26  
 D-32758 Detmold  
 Germany

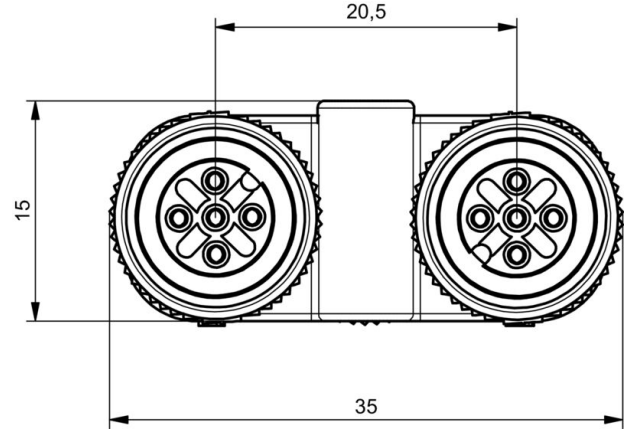
www.weidmueller.com

**Drawings**

**Dimensioned drawing**



**Dimensioned drawing**



**Wiring diagram**

