

SAI-Y-4-4/2-4 M12/8

Weidmüller Interface GmbH & Co. KG
Klingenbergstraße 26
D-32758 Detmold
Germany

www.weidmueller.com



General ordering data

Version	Y-plug, M12 / M8, Signal distributor
Order No.	1783420000
Type	SAI-Y-4-4/2-4 M12/8
GTIN (EAN)	4032248183357
Qty.	1 items

SAI-Y-4-4/2-4 M12/8

Weidmüller Interface GmbH & Co. KG

Klingenbergstraße 26

D-32758 Detmold

Germany

www.weidmueller.com

Technical data

Approvals

Approvals



ROHS Conform

Dimensions and weights

Net weight 14.96 g

Environmental Product Compliance

RoHS Compliance Status	Compliant with exemption
RoHS Exemption (if applicable/known)	6c
REACH SVHC	Lead 7439-92-1
SCIP	d9f8df28-a704-45a9-a1cb-1fe1442b5ef0

Connection data

Group outlet - plug-in connector	M12 pin	Single outlet 1 - plug-in connector	M8 socket
Single outlet 2 - plug-in connector	M8 socket	Tightening torque	M8: 0.5 - 0.6 Nm, M12: 0.8 - 1.2 Nm

Technical data customisable plug-in connectors

Number of poles	4	Coding	M12 = A-coded / M8 = none
Contact surface	Au (Gold)	Housing main material	PUR
Nominal voltage	24 V	Nominal current	4 A
Protection degree	IP67	Pollution severity	3
Shield connection	No	Threaded ring material	Diecast zinc
Temperature range of housing	-25...+90 °C		

Standards

Connector standard	IEC 61076-2-101, IEC 61076-2-104
--------------------	----------------------------------

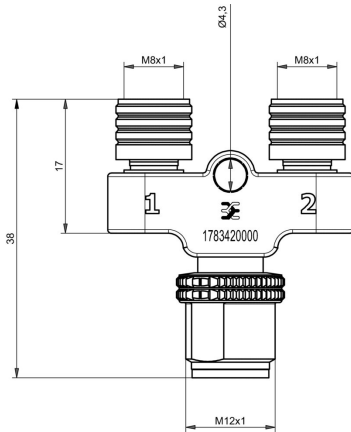
General data

Number of poles	4	Coding	M12 = A-coded / M8 = none
Connection thread	M12 / M8	Contact material, socket	CuZn
Contact material, pin	CuZn	Contact surface	Au (Gold)
Housing main material	PUR	Nominal voltage	24 V
Nominal current	4 A	Protection degree	IP67
Pollution severity	3	Connection 1	M12/M8
Connection 2	Screw	Shield connection	No
Temperature range of housing	-25...+90 °C	Conductor O.D.	-

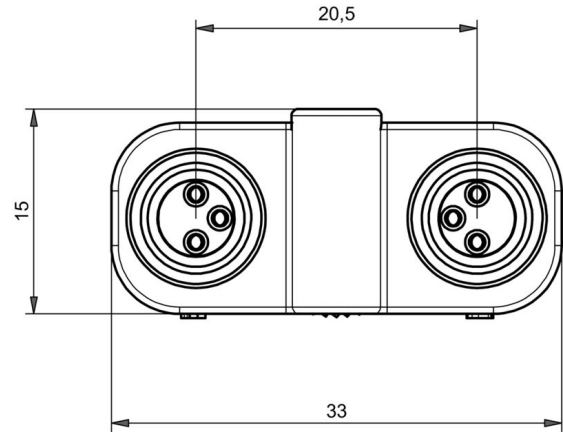
Classifications

ETIM 8.0	EC002925	ETIM 9.0	EC002925
ETIM 10.0	EC002925	ECLASS 14.0	27-44-01-06
ECLASS 15.0	27-44-01-06		

Dimensioned drawing



Dimensioned drawing



Wiring diagram

