

## SAI-8-MH-5P M12 PI

**Weidmüller Interface GmbH & Co. KG**  
 Klingenbergstraße 26  
 D-32758 Detmold  
 Germany

www.weidmueller.com

## Similar to illustration



Cable gland: M25 for cables with an outer insulation diameter from 13 mm to 18 mm. The SAI distributor with M25 cable gland is suitable among others for the following cable types:

- 21 x 0.50 mm
- 18 x 0.75 mm bis 21 x 0.75 mm
- 14 x 100 mm bis 20 x 100 mm
- 8 x 1.50 mm bis 16 x 1.50 mm

## General ordering data

|                 |  |
|-----------------|--|
| Version         | Hood version with M20 outlet, M12, 30 V, A-coded, LED: Yes, LED initiator: Yes, Wiring type: PNP |
| Order No.       | <a href="#">1782760000</a>   |
| Type            | SAI-8-MH-5P M12 PI   |
| GTIN (EAN)      | 4032248179510  |
| Qty.            | 1 items  |
| Delivery status | This article will no longer be available in the future.  |
| Available until | 2025-12-30T00:00:00+01:00  |

## SAI-8-MH-5P M12 PI

Weidmüller Interface GmbH &amp; Co. KG

Klingenbergstraße 26

D-32758 Detmold

Germany

www.weidmueller.com

## Technical data

## Approvals

|      |         |
|------|---------|
| ROHS | Conform |
|------|---------|

## Dimensions and weights

|            |        |                 |             |
|------------|--------|-----------------|-------------|
| Depth      | 152 mm | Depth (inches)  | 5.9842 inch |
| Height     | 55 mm  | Height (inches) | 2.1654 inch |
| Width      | 60 mm  | Width (inches)  | 2.3622 inch |
| Net weight | 506 g  |                 |             |

## Temperatures

|                       |            |
|-----------------------|------------|
| Operating temperature | -20 - 90°C |
|-----------------------|------------|

## Environmental Product Compliance

|                        |                             |
|------------------------|-----------------------------|
| RoHS Compliance Status | Compliant without exemption |
| REACH SVHC             | No SVHC above 0.1 wt%       |

## Connection data

|   |                      |   |                              |
|---|----------------------|---|------------------------------|
| Wire connection method                          | PUSH IN              | Conductor O.D., min.                            | 10 mm                        |
| Conductor O.D., max.                            | 14 mm                | Cable gland                                     | M 20                         |
| Clamping range, min.                            | 0.14 mm <sup>2</sup> | Clamping range, max.                            | 1.5 mm <sup>2</sup>          |
| Wire connection cross section AWG, min.         | AWG 26               | Wire connection cross section AWG, max.         | AWG 16                       |
| Solid, min. H05(07) V-U                         | 0.14 mm <sup>2</sup> | Solid, max. H05(07) V-U                         | 1.5 mm <sup>2</sup>          |
| Flexible, min. H05(07) V-K                      | 0.14 mm <sup>2</sup> | Flexible, max. H05(07) V-K                      | 1.5 mm <sup>2</sup>          |
| w. plastic collar ferrule, DIN 46228 pt 4, min. | 0.28 mm <sup>2</sup> | w. plastic collar ferrule, DIN 46228 pt 4, max. | 1 mm <sup>2</sup>            |
| w. wire end ferrule, DIN 46228 pt 1, min.       | 0.25 mm <sup>2</sup> | w. wire end ferrule, DIN 46228 pt 1, max.       | 1 mm <sup>2</sup>            |
| Storage space                                   | gross                | Distributor outlet                              | Hood version with M20 outlet |

## Electrical data

|                                |      |   |       |
|--------------------------------|------|---|-------|
| Rated voltage, min.            | 10 V | Rated voltage, max.                     | 30 V  |
| Test voltage                   | 1 kV | Max. current-carrying capacity per slot | 4 A   |
| Total current                  | 10 A | Current per signal                      | 2 A   |
| Electrical isolation available | Yes  | Insulation resistance                   | 109 Ω |

## General technical data

|                                     |       |                             |         |
|-------------------------------------|-------|-----------------------------|---------|
| Protection degree                   | IP68  | Plug-in station coding      | A-coded |
| Number of poles                     | 5     | Number of contact sockets   | 8       |
| Connection thread                   | M12   | Pollution severity          | 3       |
| Fire behaviour                      | V-0   | Plugging cycles             | ≤ 50    |
| LED                                 | Yes   | LED initiator               | Yes     |
| LED colour for indicating operation | green | LED colour for I/O function | yellow  |

## Material data

|                       |  |                         |                     |
|-----------------------|--|-------------------------|---------------------|
| Housing main material | Pocan (base module), Zinc diecast (hood) | Material of distributor | metal               |
| Housing colour        | silver                                   | Hood sealing material   | Polyurethane foamed |

## SAI-8-MH-5P M12 PI

**Weidmüller Interface GmbH & Co. KG**  
Klingenbergstraße 26  
D-32758 Detmold  
Germany

[www.weidmueller.com](http://www.weidmueller.com)

## Technical data

|                 |                    |                          |                |
|-----------------|--------------------|--------------------------|----------------|
| Screw socket    | Nickel-plated CuZn | Contact material         | CuZn           |
| Contact surface | Gold-plated        | Contact carrier material | PBT (UL 94 V0) |

### Technical data cable

|                      |       |                             |       |
|----------------------|-------|-----------------------------|-------|
| Number of poles      | 5     | Conductor O.D., max.        | 14 mm |
| Conductor O.D., min. | 10 mm | Suitable for cable carriers | No    |

### Classifications

|             |             |             |             |
|-------------|-------------|-------------|-------------|
| ETIM 8.0    | EC003558    | ETIM 9.0    | EC003558    |
| ETIM 10.0   | EC003558    | ECLASS 14.0 | 27-44-01-11 |
| ECLASS 15.0 | 27-44-01-11 |             |             |

SAI-8-MH-5P M12 PI

Weidmüller Interface GmbH & Co. KG  
Klingenbergstraße 26  
D-32758 Detmold  
Germany

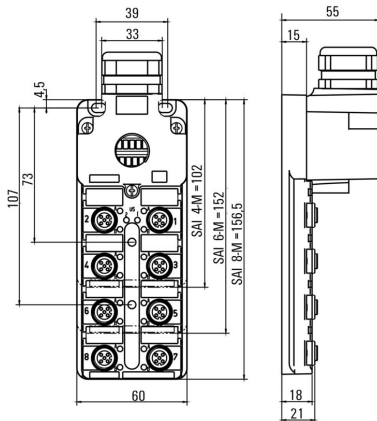
Drawings

www.weidmueller.com

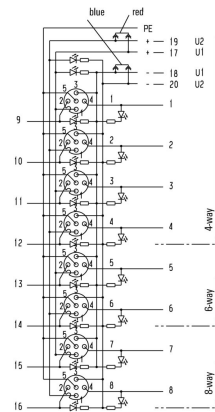
Similar to illustration



Dimensioned drawing



Wiring diagram



## SAI-8-MH-5P M12 PI

**Weidmüller Interface GmbH & Co. KG**  
 Klingenbergstraße 26  
 D-32758 Detmold  
 Germany

www.weidmueller.com

## Accessories

## M12



Protective caps protect unassigned plug-in stations against external influences.

## General ordering data

|            |                            |  |  |
|------------|----------------------------|--|--|
| Type       | SAI-SK-M12                 | Version  |  |
| Order No.  | <a href="#">9456050000</a> | Protected component assemblies, Protective cap |  |
| GTIN (EAN) | 4008190304058              |  |  |
| Qty.       | 30 ST                      |  |  |

## Screwty® cable gland tool with torque function



The ideal tool for any application  
 Screwty® is the ideal, all-purpose tool for tightening all common sensor and actuator cables. Even difficult-to-reach round plugs are accessible using the Screwty®. A simple turning movement tightens and loosens the connectors without the need for excessive force. The Screwty® is a unique and global solution since it fits with most cables and plugs from other vendors (over 90 %). The Screwty® consists of a handle with a conventional 1/4" adapter. Thus it can be used for all sizes: for M12 and M8 round plug-in connectors, and for M12F and M8F customisable plugs and sockets, as well as for all M23 plugs and sockets.

## General ordering data

|            |                            |   |  |
|------------|----------------------------|---|--|
| Type       | SCREWTY SET -DM            | Version   |  |
| Order No.  | <a href="#">1920000000</a> | Cable gland tool for M8, M12 lines and connectors |  |
| GTIN (EAN) | 4032248436859              |   |  |
| Qty.       | 1 ST                       |   |  |

**SAI-8-MH-5P M12 PI**

**Weidmüller Interface GmbH & Co. KG**  
Klingenbergstraße 26  
D-32758 Detmold  
Germany

**Accessories**

[www.weidmueller.com](http://www.weidmueller.com)

**Blank**

ESG is the tried-and-tested marker in MultiCard format for use on many well-known electrical devices. The result is high-quality device marking with a high-contrast appearance.

Various types are available for devices from manufacturers like Siemens, ABB, Beckhoff etc.

Advantages at a glance:

- Tags for universal usage, self-adhesive or clip-on tags, depending on type
- For aligned equipment, e.g. circuit breakers, we supply ESG markers for clipping onto tag rails
- Individual laser-quality printing according to specifications

For custom printing: Please send us a file of our labeling software M-Print PRO or M-Print PRO Online (without installation) for your labeling specifications.

**General ordering data**

|            |                            |         |  |
|------------|----------------------------|---------|--|
| Type       | ESG 8/20 K MC NE WS        | Version |  |
| Order No.  | <a href="#">2558360000</a> |         | ESG, Device markers x 20 mm, PA 66, Colour: white, pluggable |
| GTIN (EAN) | 4050118569070              |         |  |
| Qty.       | 200 ST                     |         |  |