

SAI-8-MMH 5P M12 PI

Weidmüller Interface GmbH & Co. KG

Klingenbergstraße 26

D-32758 Detmold

Germany

www.weidmueller.com



Some applications require complete shielding from the sensor to the control. Our metal SAI distributors achieve this complete shielding. EMC glands are included with the distributors. Initiator LEDs are omitted.

They are available in 4- and 8-way M12 versions with 5 or 10 m cables. In addition, these distributors can be used in harsh environments e.g. in the vicinity of welding plant. Hoods with a generous connection space available so that they can be provided with a standard gland up to M25.

- no EMC problems,
- high resistance to chemical or mechanical influences,
- standard fixing dimensions.

General ordering data

Version	Hood version, M12, 30 V, A-coded, LED: Yes, LED initiator: No, Wiring type: PNP
Order No.	1782740000
Type	SAI-8-MMH 5P M12 PI
GTIN (EAN)	4032248179497
Qty.	1 items
Delivery status	This article will no longer be available in the future.
Available until	2025-12-30T00:00:00+01:00

SAI-8-MMH 5P M12 PI

Weidmüller Interface GmbH & Co. KG

Klingenbergstraße 26

D-32758 Detmold

Germany

www.weidmueller.com

Technical data

Approvals

ROHS	Conform
------	---------

Dimensions and weights

Depth	152 mm	Depth (inches)	5.9842 inch
Height	43 mm	Height (inches)	1.6929 inch
Width	60 mm	Width (inches)	2.3622 inch
Net weight	882 g		

Temperatures

Operating temperature	-20 - 90°C
-----------------------	------------

Environmental Product Compliance

RoHS Compliance Status	Compliant without exemption
REACH SVHC	No SVHC above 0.1 wt%

Connection data

Wire connection method	PUSH IN	Conductor O.D., min.	10 mm
Conductor O.D., max.	14 mm	Clamping range, min.	0.14 mm ²
Clamping range, max.	1.5 mm ²	Wire connection cross section AWG, min.	AWG 26
Wire connection cross section AWG, max.	AWG 16	Solid, min. H05(07) V-U	0.14 mm ²
Solid, max. H05(07) V-U	1.5 mm ²	Flexible, min. H05(07) V-K	0.14 mm ²
Flexible, max. H05(07) V-K	1.5 mm ²	w. plastic collar ferrule, DIN 46228 pt 4, 0.28 mm ² min.	
w. plastic collar ferrule, DIN 46228 pt 4, 1 mm ² max.		w. wire end ferrule, DIN 46228 pt 1, min.	0.25 mm ²
w. wire end ferrule, DIN 46228 pt 1, max.	1 mm ²	Storage space	Standard
Distributor outlet	Hood version		

Electrical data

Rated voltage, min.	10 V	Rated voltage, max.	30 V
Test voltage	1 kV	Max. current-carrying capacity per slot	4 A
Total current	10 A	Current per signal	2 A
Electrical isolation available	Yes	Insulation resistance	109 Ω

General technical data

Protection degree	IP68	Plug-in station coding	A-coded
Number of poles	5	Number of contact sockets	8
Connection thread	M12	Pollution severity	3
Fire behaviour	V-0	Plugging cycles	≤ 50
LED	Yes	LED initiator	No
LED colour for indicating operation	green		

Material data

Housing main material	Zinc diecast	Material of distributor	metal
Housing colour	silver	Hood sealing material	Polyurethane foamed

SAI-8-MMH 5P M12 PI

Weidmüller Interface GmbH & Co. KG
 Klingenbergstraße 26
 D-32758 Detmold
 Germany

www.weidmueller.com

Technical data

Screw socket	Nickel-plated CuZn	Contact material	CuZn
Contact surface	Gold-plated	Contact carrier material	PBT (UL 94 V0)

Technical data cable

Number of poles	5	Conductor O.D., max.	14 mm
Conductor O.D., min.	10 mm	Suitable for cable carriers	No

Classifications

ETIM 8.0	EC003558	ETIM 9.0	EC003558
ETIM 10.0	EC003558	ECLASS 14.0	27-44-01-11
ECLASS 15.0	27-44-01-11		

SAI-8-MMH 5P M12 PI

Weidmüller Interface GmbH & Co. KG
 Klingenbergstraße 26
 D-32758 Detmold
 Germany

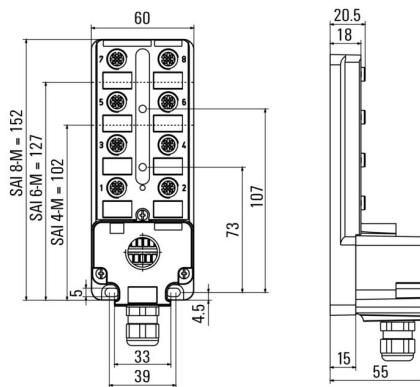
www.weidmueller.com

Drawings

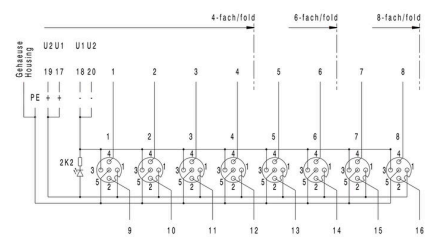
Similar to illustration



Dimensioned drawing



Wiring diagram



SAI-8-MMH 5P M12 PI

Weidmüller Interface GmbH & Co. KG

Klingenbergstraße 26

D-32758 Detmold

Germany

www.weidmueller.com

Accessories

M12



Protective caps protect unassigned plug-in stations against external influences.

General ordering data

Type	SAI-SK-M12	Version	
Order No.	9456050000	Protected component assemblies, Protective cap	
GTIN (EAN)	4008190304058		
Qty.	30 ST		

Screwty® cable gland tool with torque function



The ideal tool for any application
Screwty® is the ideal, all-purpose tool for tightening all common sensor and actuator cables. Even difficult-to-reach round plugs are accessible using the Screwty®. A simple turning movement tightens and loosens the connectors without the need for excessive force. The Screwty® is a unique and global solution since it fits with most cables and plugs from other vendors (over 90 %). The Screwty® consists of a handle with a conventional 1/4" adapter. Thus it can be used for all sizes: for M12 and M8 round plug-in connectors, and for M12F and M8F customisable plugs and sockets, as well as for all M23 plugs and sockets.

General ordering data

Type	SCREWTY SET -DM	Version	
Order No.	1920000000	Cable gland tool for M8, M12 lines and connectors	
GTIN (EAN)	4032248436859		
Qty.	1 ST		

Metal version



Some applications require complete shielding from the sensor to the control. Our metal SAI distributors achieve this complete shielding. EMC glands are included with the distributors. Initiator LEDs are omitted. They are available in 4- and 8-way M12 versions with 5 or 10 m cables. In addition, these distributors can be used in harsh environments e.g. in the vicinity of welding plant. Hoods with a generous connection space available so that they can be provided with a standard gland up to M25.

- no EMC problems,
- high resistance to chemical or mechanical influences,
- standard fixing dimensions.

SAI-8-MMH 5P M12 PI

Weidmüller Interface GmbH & Co. KG
 Klingenbergstraße 26
 D-32758 Detmold
 Germany

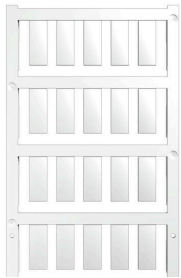
www.weidmueller.com

Accessories

General ordering data

Type	SAI-8-MM 5P M12 UT	Version	
Order No.	1783491000	Hood distributor lower part, M12, 30 V, A-coded, LED: Yes, LED	
GTIN (EAN)	4032248296583	initiator: No, Wiring type: PNP	
Qty.	2 ST		

Blank



ESG is the tried-and-tested marker in MultiCard format for use on many well-known electrical devices. The result is high-quality device marking with a high-contrast appearance.

Various types are available for devices from manufacturers like Siemens, ABB, Beckhoff etc.

Advantages at a glance:

- Tags for universal usage, self-adhesive or clip-on tags, depending on type
- For aligned equipment, e.g. circuit breakers, we supply ESG markers for clipping onto tag rails
- Individual laser-quality printing according to specifications

For custom printing: Please send us a file of our labeling software M-Print PRO or M-Print PRO Online (without installation) for your labeling specifications.

General ordering data

Type	ESG 8/20 K MC NE WS	Version	
Order No.	2558360000	ESG, Device markers x 20 mm, PA 66, Colour: white, pluggable	
GTIN (EAN)	4050118569070		
Qty.	200 ST		