

## RF 180 GR 7032

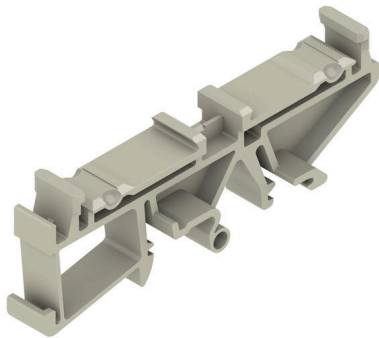
Weidmüller Interface GmbH &amp; Co. KG

Klingenbergstraße 26

D-32758 Detmold

Germany

www.weidmueller.com



The RS 100 Profi offers you a flexible solution for your mounting needs, as both DIN rail mounting and wall mounting are possible. This versatility facilitates integration into different environments and applications. The housing can be used for the Eurocard PCB standard. The profile can be cut to size so that you can adapt it precisely to your specific requirements. For particularly heavy components, additional locking feet can be used to improve stability and thus increase the safety of your installation.

Another practical feature is the option of using a cover profile to protect large components.

### General ordering data

Version	Clip-in foot, RS 80, RS 90, RS 100 Pebble grey, Clip-in foot for RS 80/90/100, Width: 17.5 mm
Order No.	<a href="#">1773400000</a>
Type	RF 180 GR 7032
GTIN (EAN)	4032248140602
Qty.	20 items

**Technical data**

**Approvals**

ROHS	Conform
------	---------

**Dimensions and weights**

Depth	26.6 mm	Depth (inches)	1.0472 inch
Height	79.2 mm	Height (inches)	3.1181 inch
Width	17.5 mm	Width (inches)	0.689 inch
Net weight	6.15 g		

**Temperatures**

Operating temperature range	-50...100 °C
-----------------------------	--------------

**Environmental Product Compliance**

RoHS Compliance Status	Compliant without exemption
REACH SVHC	No SVHC above 0.1 wt%

**Material data**

UL 94 flammability rating	V-0	Insulating material	PA 66
Surface finish	untreated	Basic material	PA 66

**General data**

Colour	Pebble grey	Protection degree	IP20, IP00
Mounting rail	TS 32, TS 35	Colour chart (similar)	RAL 7032
Encapsulation option	No		

**Classifications**

ETIM 8.0	EC002779	ETIM 9.0	EC002779
ETIM 10.0	EC002779	ECLASS 14.0	27-19-06-05
ECLASS 15.0	27-19-06-05		