

SAI-8-M 3P IDC**Weidmüller Interface GmbH & Co. KG**

Klingenbergstraße 26

D-32758 Detmold

Germany

www.weidmueller.com



- The compact IDC system cuts production, installation and maintenance work.
- Knurled metal nuts ensure sturdy, secure handling with little effort.
- The IDC distributors have the same dimensions as the standard SAI distributors. They are compatible with the standard SAI distributors.
- 3-pole version with 1 I/O signal per slot and 4-pole version with 2 I/O signals per slot,
- individual assembly of the sensor/actuator cables on the spot,
- reliable and fast connection thanks to IDC connecting element,
- IP67 class of protection.

General ordering data

Version	Hood version, IDC, M12, 30 V, A-coded, LED: Yes, LED initiator: Yes, Wiring type: PNP
Order No.	1760060000
Type	SAI-8-M 3P IDC
GTIN (EAN)	4008190200480
Qty.	1 items

SAI-8-M 3P IDC

Weidmüller Interface GmbH & Co. KG

Klingenbergstraße 26

D-32758 Detmold

Germany

www.weidmueller.com

Technical data

Approvals

Approvals



ROHS	Conform
UL File Number Search	UL Website
Certificate No. (cURus)	E141197

Dimensions and weights

Depth	152 mm	Depth (inches)	5.9842 inch
Height	41.5 mm	Height (inches)	1.6339 inch
Width	60 mm	Width (inches)	2.3622 inch
Net weight	274 g		

Temperatures

Operating temperature	-20 - 90°C
-----------------------	------------

Environmental Product Compliance

RoHS Compliance Status	Compliant with exemption
RoHS Exemption (if applicable/known)	6c
REACH SVHC	Lead 7439-92-1
SCIP	4060c755-8d0b-4d43-bdb3-4ffabe9d7497

Connection data

Conductor O.D., min.	1.2 mm	Conductor O.D., max.	1.6 mm
Clamping range, min.	0.08 mm ²	Clamping range, max.	1.5 mm ²
Wire connection cross section AWG, min.	AWG 28	Wire connection cross section AWG, max.	AWG 14
Solid, min. H05(07) V-U	0.2 mm ²	Solid, max. H05(07) V-U	1.5 mm ²
Flexible, min. H05(07) V-K	0.2 mm ²	Flexible, max. H05(07) V-K	1.5 mm ²
w. plastic collar ferrule, DIN 46228 pt 4, 0.2 mm ² min.		w. plastic collar ferrule, DIN 46228 pt 4, 1.5 mm ² max.	
w. wire end ferrule, DIN 46228 pt 1, min.	0.2 mm ²	w. wire end ferrule, DIN 46228 pt 1, max.	1.5 mm ²
max. connection of equal cross-section	10	Storage space	Standard
Distributor outlet	Hood version, IDC		

Electrical data

Rated voltage, min.	10 V	Rated voltage, max.	30 V
Test voltage	1 kV	Max. current-carrying capacity per slot	4 A
Total current	10 A	Current per signal	2 A
Electrical isolation available	Yes	Insulation resistance	109 Ω

General technical data

Protection degree	IP67	Plug-in station coding	A-coded
Number of poles	3	Number of contact sockets	8
Connection thread	M12	Pollution severity	2
Fire behaviour	V-0	LED	Yes
LED initiator	Yes	LED colour for indicating operation	green
LED colour for I/O function	yellow		

SAI-8-M 3P IDC

Weidmüller Interface GmbH & Co. KG
 Klingenbergstraße 26
 D-32758 Detmold
 Germany

www.weidmueller.com

Technical data

Material data

Housing main material	Pocan	Material of distributor	Plastic
Housing colour	grey, RAL 7032	Hood sealing material	Viton
Screw socket	Nickel-plated CuZn	Contact material	CuZn
Contact surface	Gold-plated	Contact carrier material	PBT (UL 94 V0)

Technical data cable

Number of poles	3	Conductor O.D., max.	1.6 mm
Conductor O.D., min.	1.2 mm	Suitable for cable carriers	No

Classifications

ETIM 8.0	EC003558	ETIM 9.0	EC003558
ETIM 10.0	EC003558	ECLASS 14.0	27-44-01-11
ECLASS 15.0	27-44-01-11		

SAI-8-M 3P IDC

Weidmüller Interface GmbH & Co. KG
 Klingenbergstraße 26
 D-32758 Detmold
 Germany

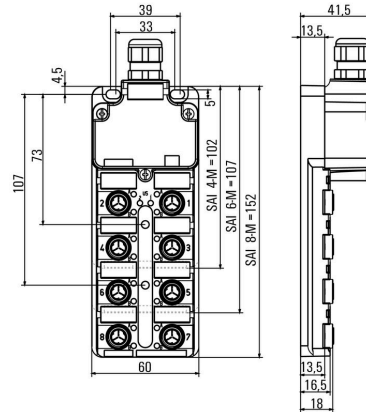
Drawings

www.weidmueller.com

Similar to illustration



Dimensioned drawing



Wiring diagram

