

## SAI-4-M 3P IDC

Weidmüller Interface GmbH &amp; Co. KG

Klingenbergstraße 26

D-32758 Detmold

Germany

www.weidmueller.com



- The compact IDC system cuts production, installation and maintenance work.
- Knurled metal nuts ensure sturdy, secure handling with little effort.
- The IDC distributors have the same dimensions as the standard SAI distributors. They are compatible with the standard SAI distributors.
- 3-pole version with 1 I/O signal per slot and 4-pole version with 2 I/O signals per slot,
- individual assembly of the sensor/actuator cables on the spot,
- reliable and fast connection thanks to IDC connecting element,
- IP67 class of protection.

## General ordering data

Version	Hood version, IDC, M12, 30 V, A-coded, LED: Yes, LED initiator: Yes, Wiring type: PNP
Order No.	<a href="#">1760040000</a>
Type	SAI-4-M 3P IDC
GTIN (EAN)	4008190200466
Qty.	1 items

## SAI-4-M 3P IDC

Weidmüller Interface GmbH & Co. KG  
Klingenbergstraße 26  
D-32758 Detmold  
Germany

www.weidmueller.com

## Technical data

## Approvals

Approvals



ROHS	Conform
UL File Number Search	<a href="#">UL Website</a>
Certificate No. (cURus)	E141197

## Dimensions and weights

Depth	102 mm	Depth (inches)	4.0157 inch
Height	41.5 mm	Height (inches)	1.6339 inch
Width	60 mm	Width (inches)	2.3622 inch
Net weight	175.12 g		

## Temperatures

Operating temperature	-20 - 90°C
-----------------------	------------

## Environmental Product Compliance

RoHS Compliance Status	Compliant with exemption
RoHS Exemption (if applicable/known)	6c
REACH SVHC	Lead 7439-92-1
SCIP	4060c755-8d0b-4d43-bdb3-4ffabe9d7497

## Connection data

Conductor O.D., min.	1.2 mm	Conductor O.D., max.	1.6 mm
Clamping range, min.	0.08 mm <sup>2</sup>	Clamping range, max.	1.5 mm <sup>2</sup>
Wire connection cross section AWG, min.	AWG 28	Wire connection cross section AWG, max.	AWG 14
Solid, min. H05(07) V-U	0.2 mm <sup>2</sup>	Solid, max. H05(07) V-U	1.5 mm <sup>2</sup>
Flexible, min. H05(07) V-K	0.2 mm <sup>2</sup>	Flexible, max. H05(07) V-K	1.5 mm <sup>2</sup>
w. plastic collar ferrule, DIN 46228 pt 4, 0.2 mm <sup>2</sup> min.		w. plastic collar ferrule, DIN 46228 pt 4, 1.5 mm <sup>2</sup> max.	
w. wire end ferrule, DIN 46228 pt 1, min.	0.2 mm <sup>2</sup>	w. wire end ferrule, DIN 46228 pt 1, max.	1.5 mm <sup>2</sup>
max. connection of equal cross-section	10	Storage space	Standard
Distributor outlet	Hood version, IDC		

## Electrical data

Rated voltage, min.	10 V	Rated voltage, max.	30 V
Test voltage	1 kV	Max. current-carrying capacity per slot	4 A
Total current	10 A	Current per signal	2 A
Electrical isolation available	Yes	Insulation resistance	109 Ω

## General technical data

Protection degree	IP67	Plug-in station coding	A-coded
Number of poles	3	Number of contact sockets	4
Connection thread	M12	Pollution severity	2
Fire behaviour	V-0	LED	Yes
LED initiator	Yes	LED colour for indicating operation	green
LED colour for I/O function	yellow		

## SAI-4-M 3P IDC

**Weidmüller Interface GmbH & Co. KG**  
 Klingenbergstraße 26  
 D-32758 Detmold  
 Germany

[www.weidmueller.com](http://www.weidmueller.com)

## Technical data

### Material data

Housing main material	Pocan	Material of distributor	Plastic
Housing colour	grey, RAL 7032	Hood sealing material	Viton
Screw socket	Nickel-plated CuZn	Contact material	CuZn
Contact surface	Gold-plated	Contact carrier material	PBT (UL 94 V0)

### Technical data cable

Number of poles	3	Conductor O.D., max.	1.6 mm
Conductor O.D., min.	1.2 mm	Suitable for cable carriers	No

### Classifications

ETIM 8.0	EC003558	ETIM 9.0	EC003558
ETIM 10.0	EC003558	ECLASS 14.0	27-44-01-11
ECLASS 15.0	27-44-01-11		

SAI-4-M 3P IDC

Weidmüller Interface GmbH & Co. KG  
Klingenbergstraße 26  
D-32758 Detmold  
Germany

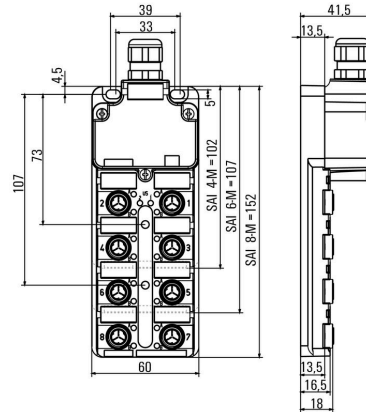
www.weidmueller.com

Drawings

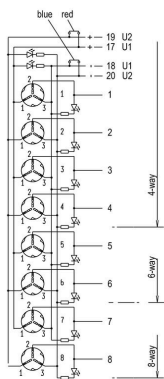
Similar to illustration



Dimensioned drawing



Wiring diagram



## SAI-4-M 3P IDC

Weidmüller Interface GmbH &amp; Co. KG

Klingenbergstraße 26

D-32758 Detmold

Germany

www.weidmueller.com

## Accessories

## M12



Protective caps protect unassigned plug-in stations against external influences.

## General ordering data

Type	SAI-SK-M12	Version	
Order No.	<a href="#">9456050000</a>	Protected component assemblies, Protective cap	
GTIN (EAN)	4008 190304058		
Qty.	30 ST		

## Screwty® cable gland tool with torque function



The ideal tool for any application  
Screwty® is the ideal, all-purpose tool for tightening all common sensor and actuator cables. Even difficult-to-reach round plugs are accessible using the Screwty®. A simple turning movement tightens and loosens the connectors without the need for excessive force. The Screwty® is a unique and global solution since it fits with most cables and plugs from other vendors (over 90 %). The Screwty® consists of a handle with a conventional 1/4" adapter. Thus it can be used for all sizes: for M12 and M8 round plug-in connectors, and for M12F and M8F customisable plugs and sockets, as well as for all M23 plugs and sockets.

## General ordering data

Type	SCREWTY SET -DM	Version	
Order No.	<a href="#">1920000000</a>	Cable gland tool for M8, M12 lines and connectors	
GTIN (EAN)	4032248436859		
Qty.	1 ST		

## SAI-4-M 3P IDC

Weidmüller Interface GmbH &amp; Co. KG

Klingenbergstraße 26

D-32758 Detmold

Germany

www.weidmueller.com

## Accessories

## Blank



ESG is the tried-and-tested marker in MultiCard format for use on many well-known electrical devices. The result is high-quality device marking with a high-contrast appearance.

Various types are available for devices from manufacturers like Siemens, ABB, Beckhoff etc.

Advantages at a glance:

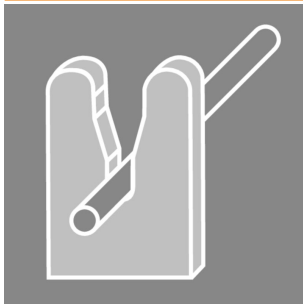
- Tags for universal usage, self-adhesive or clip-on tags, depending on type
- For aligned equipment, e.g. circuit breakers, we supply ESG markers for clipping onto tag rails
- Individual laser-quality printing according to specifications

For custom printing: Please send us a file of our labeling software M-Print PRO or M-Print PRO Online (without installation) for your labeling specifications.

## General ordering data

Type	ESG 9/20 MC NE WS	Version	
Order No.	<a href="#">1609940000</a>	ESG, Device markers x 20 mm, PA 66, Colour: white, pluggable	
GTIN (EAN)	4008190203528		
Qty.	200 ST		

## Insulation displacement connection



Individual cable lengths are often required nowadays. In order to meet these demands, Weidmüller offers a wide range of plug-in connectors for custom assembly. Male plugs and female socket for customisable assembly for M8, M12, M16 and 7/8" connections which are highly robust and ideally suited to machine engineering, for instance. The M12 plug-in connectors offer a choice of 5 different connection systems.

The IDC is simple and quick to assemble since this technology allows the conductor to be inserted directly into the terminal point, without crimping or having to strip the insulation. It also has excellent functional security.

## General ordering data

Type	SAI-SA-3-IDC	Version	
Order No.	<a href="#">9457720000</a>	Field attachable connector, M12	
GTIN (EAN)	4032248154869		
Qty.	1 ST		