

HDC-CR16-5B GR

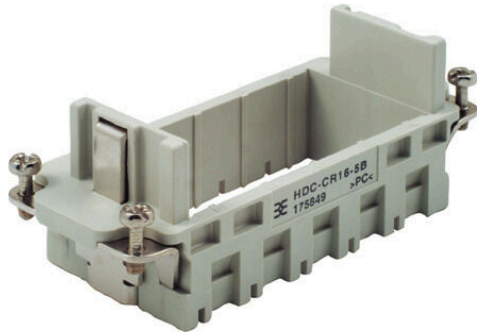
Weidmüller Interface GmbH & Co. KG

Klingenbergstraße 26

D-32758 Detmold

Germany

www.weidmueller.com



The sturdy CR16 module frames are available in polycarbonate or die-cast zinc.

The frames are designed so that 5 individual modules or corresponding double modules can be installed. The CR16 frames are designed to fit the size-6 housings.

General ordering data

Version	Heavy-duty connectors, HDC insert, ConCept frame
Order No.	1758490000
Type	HDC-CR16-5B GR
GTIN (EAN)	4032248019717
Qty.	5 items

HDC-CR16-5B GR

Weidmüller Interface GmbH & Co. KG
 Klingenbergstraße 26
 D-32758 Detmold
 Germany

www.weidmueller.com

Technical data

Approvals

Approvals



ROHS Conform

Dimensions and weights

Depth	84.5 mm	Depth (inches)	3.3268 inch
Height	35 mm	Height (inches)	1.378 inch
Width	34 mm	Width (inches)	1.3386 inch
Net weight	29.94 g		

Temperatures

Limit temperature -40 °C ... 125 °C

Environmental Product Compliance

RoHS Compliance Status	Compliant without exemption
REACH SVHC	Potassium perfluorobutane sulfonate 29420-49-3
SCIP	2f94735a-9fba-4903-842f-4fb9aa902310

ConCept Pneumatic module

UL 94 flammability rating V-0 Colour beige

Dimensions

Width	34 mm	Total length base	84.5 mm
Height of socket	35 mm		

General data

Number of poles	1	Tightening torque	0.5 Nm
Installation size	6	UL 94 flammability rating	V-0
Colour	beige	Tightening torque, max. PE connection	1.5 Nm
Type	Female	Tightening torque, min. PE connection	1.2 Nm
Basic material	Polycarbonate	Series	ConCept frame
Free from halogens	false	Low smoke acc. DIN EN 45545-2	Yes
BG	6		

Connection data PE

Connection type PE Screw connection Tightening torque, max. PE connection 1.5 Nm

Tightening torque, min. PE connection 1.2 Nm

Version

Wire connection cross section AWG, max.	AWG 14	Installation size	6
Basic material	Polycarbonate	BG	6

Technical data

Classifications

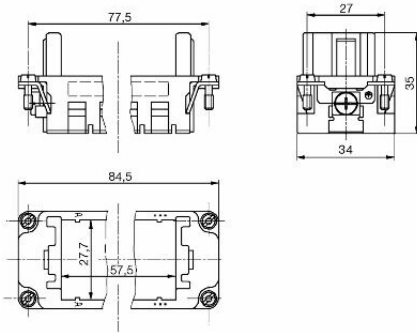
ETIM 8.0	EC002312	ETIM 9.0	EC002312
ETIM 10.0	EC002312	ECLASS 14.0	27-44-02-92
ECLASS 15.0	27-44-02-92		

HDC-CR16-5B GR

Weidmüller Interface GmbH & Co. KG
Klingenbergstraße 26
D-32758 Detmold
Germany

Drawings

www.weidmueller.com



HDC-CR16-5B GR

Weidmüller Interface GmbH & Co. KG
 Klingenbergstraße 26
 D-32758 Detmold
 Germany

www.weidmueller.com

Accessories

Modul removal tool



Weidmüller offers a variety of crimping tools, no-contact tools, and fibre optic tools.

General ordering data

Type	HDC-DW-MOD	Version	
Order No.	1688200000	Tool miscellaneous, Contact Removal Tool	
GTIN (EAN)	4008190857189		
Qty.	1 ST		

Slotted screwdriver



VDE insulated slot-head screwdriver, SDI DIN 7437, ISO 2380/2, drive output acc. to DIN 5264, ISO 2380/1. SoftFinish grip

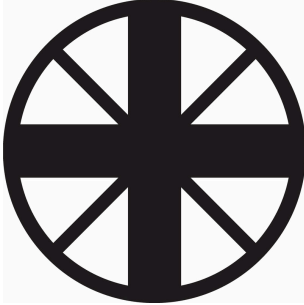
General ordering data

Type	SDIS 0.6X3.5X100	Version	
Order No.	9008390000	Screwdriver, Screwdriver	
GTIN (EAN)	4032248056354		
Qty.	1 ST		
Type	SDS 0.6X3.5X100	Version	
Order No.	9008330000	Screwdriver, Screwdriver	
GTIN (EAN)	4032248056286		
Qty.	1 ST		
Type	SDIS 0.8X4.0X100	Version	
Order No.	9008400000	Screwdriver, Screwdriver	
GTIN (EAN)	4032248056361		
Qty.	1 ST		
Type	SDS 0.8X4.0X100	Version	
Order No.	9008340000	Screwdriver, Screwdriver	
GTIN (EAN)	4032248056293		
Qty.	1 ST		

HDC-CR16-5B GR

Weidmüller Interface GmbH & Co. KG
Klingenbergstraße 26
D-32758 Detmold
Germany

www.weidmueller.com

Accessories**Crosshead screwdriver Pozidriv**

VDE insulated crosshead screwdriver type Pozidriv SDIK
PZ DIN 7438, ISO 8764/2-PZ, output to ISO 8764-PZ,
SoftFinish grip

General ordering data

Type	SDIK PZ 1	Version	
Order No.	9008900000	Screwdriver, Screwdriver	
GTIN (EAN)	4032248266685		
Qty.	1 ST		
Type	SDK PZ 1	Version	
Order No.	9008530000	Screwdriver, Screwdriver	
GTIN (EAN)	4032248056521		
Qty.	1 ST		