

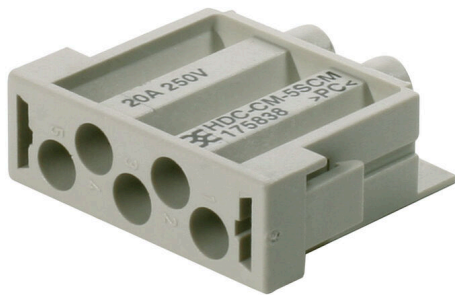
HDC CM 5 MC**Weidmüller Interface GmbH & Co. KG**

Klingenbergstraße 26

D-32758 Detmold

Germany

www.weidmueller.com



The CM5 modules are assembled with crimp contacts. The crimp contact features a stainless steel spring. The provides a secure snap-in contact with the module. A contact removal tool is available for removing the contacts. The modules can be ordered with or without the integrated module release aid. A removal tool is available for modules that do not have the integrated module release aid.

General ordering data

Version	Heavy-duty connectors, HDC insert, ConCept module
Order No.	1758380000
Type	HDC CM 5 MC
GTIN (EAN)	4032248019601
Qty.	10 items

HDC CM 5 MC

Weidmüller Interface GmbH & Co. KG

Klingenbergstraße 26

D-32758 Detmold

Germany

www.weidmueller.com

Technical data

Approvals

Approvals



ROHS Conform

Dimensions and weights

Depth	34 mm	Depth (inches)	1.3386 inch
Height	30.5 mm	Height (inches)	1.2008 inch
Width	11.4 mm	Width (inches)	0.4488 inch
Net weight	6.2 g		

Environmental Product Compliance

RoHS Compliance Status	Compliant without exemption
REACH SVHC	No SVHC above 0.1 wt%

ConCept Pneumatic module

UL 94 flammability rating	V-0	Colour	beige
---------------------------	-----	--------	-------

Dimensions

Width	11.4 mm	Total length base	34 mm
Height of plug	30.5 mm		

General data

Number of poles	5	Type of connection	Crimp connection
UL 94 flammability rating	V-0	Volume resistance	≤2 mΩ
Colour	beige	Insulation resistance	1012 Ω
Type	Pin	Surge voltage category	III
Pollution severity	3	Basic material	Polycarbonate, glass fibre reinforced
Series	ConCept module	Rated voltage (DIN EN 61984)	250 V
Rated impulse voltage (DIN EN 61984)	6 kV	Rated current (DIN EN 61984)	20 A
Free from halogens	false	Low smoke acc. DIN EN 45545-2	Yes

Connection data PE

Connection type PE	Screw connection via module frame
--------------------	-----------------------------------

Version

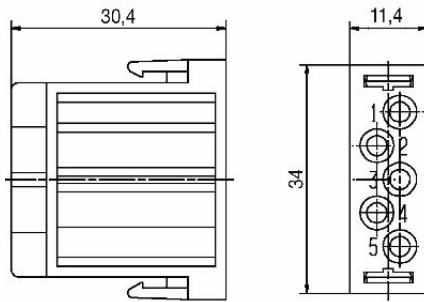
Wire connection cross section AWG, max.	AWG 12	Stripping length, rated connection	7 mm
Type of connection	Crimp connection	Volume resistance	≤2 mΩ
Wire connection cross section AWG, min.	AWG 20	Conductor cross-section, max.	4 mm ²
Conductor cross-section, min.	0.5 mm ²	Basic material	Polycarbonate, glass fibre reinforced

Technical data

Classifications

ETIM 8.0	EC000438	ETIM 9.0	EC000438
ETIM 10.0	EC000438	ECLASS 14.0	27-44-02-05
ECLASS 15.0	27-44-02-05		

Drawings



HDC CM 5 MC

Weidmüller Interface GmbH & Co. KG
 Klingenbergstraße 26
 D-32758 Detmold
 Germany

www.weidmueller.com

Accessories

Modul removal tool



Weidmüller offers a variety of crimping tools, no-contact tools, and fibre optic tools.

General ordering data

Type	HDC-DW-MOD	Version	
Order No.	1688200000	Tool miscellaneous, Contact Removal Tool	
GTIN (EAN)	4008190857189		
Qty.	1 ST		

Crimping tools



Crimping tools for turned contacts

- Ratchet guarantees precise crimping
- Release option in the event of incorrect operation
- With stop for exact positioning of the contacts.

General ordering data

Type	CTX CM 1.6/2.5	Version	
Order No.	9018490000	Pressing tool, Crimping tool for contacts, 0.14mm ² , 4mm ² , W crimp	
GTIN (EAN)	4008190884598		
Qty.	1 ST		

Contact removal tools



Weidmüller offers a variety of crimping tools, contact removal tools, and fibre optic tools.

General ordering data

Type	REMOVAL TOOL CM 5	Version	
Order No.	1866720000	Tools, Contact Removal Tool	
GTIN (EAN)	4032248437047		
Qty.	1 ST		

HDC CM 5 MC

Weidmüller Interface GmbH & Co. KG

Klingenbergstraße 26

D-32758 Detmold

Germany

Accessories

www.weidmueller.com

Crimp contacts CM5



Crimps provide a electrical and mechanical connection between wire and contact that is both secure and reliable. The optimal crimp connection is gas-tight and corrosion-resistant.

General ordering data

Type	HDC-C-M5-SM0.5AG	Version
Order No.	1682320000	Heavy-duty connectors, Crimp contact, CM 5, Male, Conductor cross-section, max.: 0.5, turned, Copper alloy
GTIN (EAN)	4008190474058	
Qty.	100 ST	
Type	HDC-C-M5-SM0.75-1.0AG	Version
Order No.	1682340000	Heavy-duty connectors, Crimp contact, CM 5, Male, Conductor cross-section, max.: 1, turned, Copper alloy
GTIN (EAN)	4008190474072	
Qty.	100 ST	
Type	HDC-C-M5-SM1.5AG	Version
Order No.	1682360000	Heavy-duty connectors, Crimp contact, CM 5, Male, Conductor cross-section, max.: 1.5, turned, Copper alloy
GTIN (EAN)	4008190474096	
Qty.	100 ST	
Type	HDC-C-M5-SM2.5AG	Version
Order No.	1682380000	Heavy-duty connectors, Crimp contact, CM 5, Male, Conductor cross-section, max.: 2.5, turned, Copper alloy
GTIN (EAN)	4008190474119	
Qty.	100 ST	
Type	HDC-C-M5-SM4.0AG	Version
Order No.	1682400000	Heavy-duty connectors, Crimp contact, CM 5, Male, Conductor cross-section, max.: 4, turned, Copper alloy
GTIN (EAN)	4008190474133	
Qty.	100 ST	