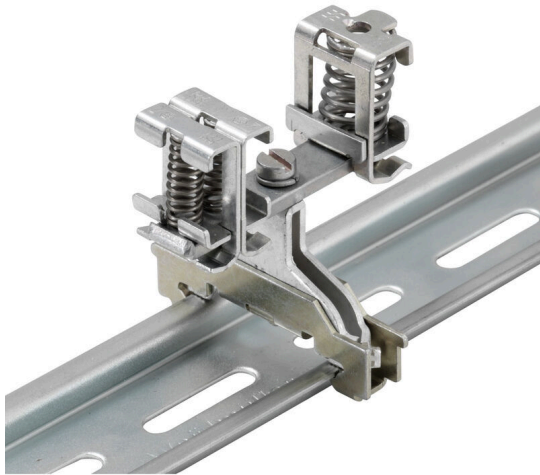


BS 35II KLBUE3-8/2X2-6

Weidmüller Interface GmbH & Co. KG
Klingenbergstraße 26
D-32758 Detmold
Germany

www.weidmueller.com

Product image

With our wide range of KLBÜ shield connections, you can achieve flexible and self-adjusting shield contacting and ensure error-free plant operation.

General ordering data

Version	Clamping yoke, Set of fixings, Steel
Order No.	1749430000
Type	BS 35II KLBUE3-8/2X2-6
GTIN (EAN)	4032248013210
Qty.	10 items

BS 35II KLBUE3-8/2X2-6

Weidmüller Interface GmbH & Co. KG
 Klingenbergstraße 26
 D-32758 Detmold
 Germany

www.weidmueller.com

Technical data

Approvals

ROHS Conform

Dimensions and weights

Depth	36.5 mm	Depth (inches)	1.437 inch
Height	35 mm	Height (inches)	1.378 inch
Diameter	3 mm	Net weight	60.8 g

Temperatures

Storage temperature	-25 °C...55 °C	Ambient temperature	-5 °C...40 °C
---------------------	----------------	---------------------	---------------

Environmental Product Compliance

RoHS Compliance Status	Compliant without exemption
REACH SVHC	No SVHC above 0.1 wt%

Material data

Basic material	Steel	Colour	silver
----------------	-------	--------	--------

System specifications

Version	Clamping yoke	Mounting rail	TS 35
---------	---------------	---------------	-------

Additional technical data

Type of fixing	when screwed in	Installation advice	Direct mounting
Explosion-tested version	Yes		

Conductors for clamping (rated connection)

Cable diameter, max.	8 mm	Cable diameter, min.	3 mm
----------------------	------	----------------------	------

Dimensions

Diameter	3 mm	TS 35 offset	26.5 mm
----------	------	--------------	---------

General

Installation advice	Direct mounting	Mounting rail	TS 35
---------------------	-----------------	---------------	-------

Classifications

ETIM 8.0	EC002848	ETIM 9.0	EC002848
ETIM 10.0	EC002848	ECLASS 14.0	27-25-03-90
ECLASS 15.0	27-25-03-90		