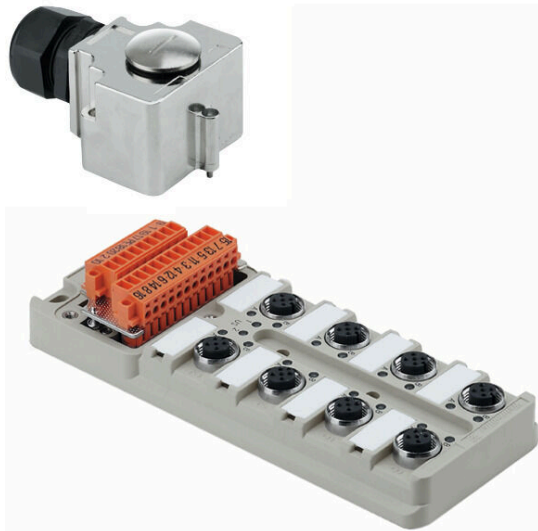


SAI-8-MHD 5P M12 OL

Weidmüller Interface GmbH & Co. KG
 Klingenbergstraße 26
 D-32758 Detmold
 Germany

www.weidmueller.com



Cable gland: M25 for cables with an outer insulation diameter from 13 mm to 18 mm. The SAI distributor with M25 cable gland is suitable among others for the following cable types:

- 21 x 0.50 mm
- 18 x 0.75 mm bis 21 x 0.75 mm
- 14 x 100 mm bis 20 x 100 mm
- 8 x 1.50 mm bis 16 x 1.50 mm

General ordering data

Version	Hood version with M25 outlet, M12, 30 V, A-coded, LED: Yes, LED initiator: No, Wiring type: PNP
Order No.	1740193000
Type	SAI-8-MHD 5P M12 OL
GTIN (EAN)	4032248298938
Qty.	1 items

SAI-8-MHD 5P M12 OL

Weidmüller Interface GmbH & Co. KG
Klingenbergstraße 26
D-32758 Detmold
Germany

www.weidmueller.com

Technical data

Approvals

ROHS	Conform
------	---------

Dimensions and weights

Depth	152 mm	Depth (inches)	5.9842 inch
Height	53 mm	Height (inches)	2.0866 inch
Width	60 mm	Width (inches)	2.3622 inch
Net weight	565 g		

Temperatures

Operating temperature	-20 - 90°C
-----------------------	------------

Environmental Product Compliance

RoHS Compliance Status	Compliant without exemption
REACH SVHC	No SVHC above 0.1 wt%

Connection data

Conductor O.D., min.	14 mm	Conductor O.D., max.	18 mm
Cable gland	M 25	Clamping range, min.	0.08 mm ²
Clamping range, max.	1.5 mm ²	Wire connection cross section AWG, min.	AWG 28
Wire connection cross section AWG, max.	AWG 14	Solid, min. H05(07) V-U	0.2 mm ²
Solid, max. H05(07) V-U	1.5 mm ²	Flexible, min. H05(07) V-K	0.2 mm ²
Flexible, max. H05(07) V-K	1.5 mm ²	w. plastic collar ferrule, DIN 46228 pt 4, 0.2 mm ² min.	
w. plastic collar ferrule, DIN 46228 pt 4, 1.5 mm ² max.		w. wire end ferrule, DIN 46228 pt 1, min.	0.2 mm ²
w. wire end ferrule, DIN 46228 pt 1, 1.5 mm ² max.		Distributor outlet	Hood version with M25 outlet

Electrical data

Rated voltage, min.	10 V	Rated voltage, max.	30 V
Max. current-carrying capacity per slot	4 A	Total current	10 A
Electrical isolation available	Yes	Insulation resistance	109 Ω

General technical data

Protection degree	IP68	Plug-in station coding	A-coded
Number of poles	5	Number of contact sockets	8
Connection thread	M12	LED	Yes
LED initiator	No	LED colour for indicating operation	green

Material data

Housing main material	Pocan (base module), Zinc diecast (hood)	Contact material	CuZn
Contact surface	Gold-plated		

SAI-8-MHD 5P M12 OL

Weidmüller Interface GmbH & Co. KG
Klingenbergstraße 26
D-32758 Detmold
Germany

www.weidmueller.com

Technical data**Technical data cable**

Number of poles	5	Conductor O.D., max.	18 mm
Conductor O.D., min.	14 mm	Suitable for cable carriers	No

Classifications

ETIM 8.0	EC003558	ETIM 9.0	EC003558
ETIM 10.0	EC003558	ECLASS 14.0	27-44-01-11
ECLASS 15.0	27-44-01-11		

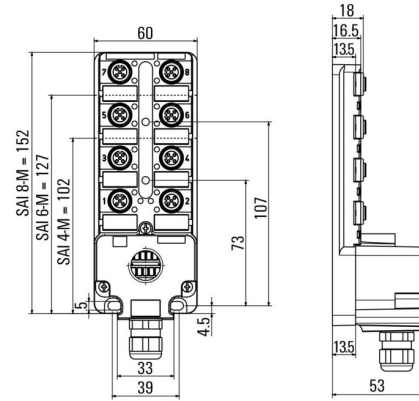
SAI-8-MHD 5P M12 OL

Weidmüller Interface GmbH & Co. KG
Klingenbergstraße 26
D-32758 Detmold
Germany

Drawings

www.weidmueller.com

Dimensioned drawing



Wiring diagram

