

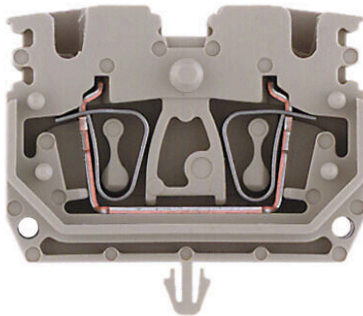
ZDUB 2.5-2/4AN/RC**Weidmüller Interface GmbH & Co. KG**

Klingenbergstraße 26

D-32758 Detmold

Germany

www.weidmueller.com

Product image**ZDUB 4**

Thanks to their compact design, Mini rail-mounted terminal blocks are ideal for working in confined spaces such as small housings and terminal boxes.

General ordering data

| | |
|------------|---|
| Version | Z-series, Feed-through terminal, Rated cross-section: 2.5 mm ² , Tension-clamp connection, dark beige, Direct mounting |
| Order No. | 1712970000 |
| Type | ZDUB 2.5-2/4AN/RC |
| GTIN (EAN) | 4008 1903 788 13 |
| Qty. | 100 items |

ZDUB 2.5-2/4AN/RC

Weidmüller Interface GmbH & Co. KG
 Klingenbergstraße 26
 D-32758 Detmold
 Germany

www.weidmueller.com

Technical data

Approvals

Approvals



| | |
|---------------------------|----------------------------|
| ROHS | Conform |
| UL File Number Search | UL Website |
| Certificate No. (cURus) | E60693 |
| Certificate No. (cURusEX) | E184763 |

Dimensions and weights

| | | | |
|------------|---------|-----------------|-------------|
| Depth | 29 mm | Depth (inches) | 1.1417 inch |
| Height | 33.5 mm | Height (inches) | 1.3189 inch |
| Width | 10.2 mm | Width (inches) | 0.4016 inch |
| Net weight | 7.11 g | | |

Temperatures

| | | | |
|----------------------------------|----------------|----------------------------------|----------------|
| Storage temperature | -25 °C...55 °C | Ambient temperature | -50 °C...75 °C |
| Continuous operating temp., min. | -50 °C | Continuous operating temp., max. | 120 °C |

Environmental Product Compliance

| | | | |
|--------------------------|-----------------------------|------------------|--|
| RoHS Compliance Status | Compliant without exemption | | |
| REACH SVHC | No SVHC above 0.1 wt% | | |
| Product Carbon Footprint | Cradle to gate | 0.095 kg CO2 eq. | |

Material data

| | | | |
|---------------------------|-------|--------|------------|
| Basic material | Wemid | Colour | dark beige |
| UL 94 flammability rating | V-0 | | |

Rating data IECEX/ATEX

| | | | |
|--------------------------------|---------------------|---------------------------------|---------------------|
| Certificate No. (ATEX) | DEMKO16ATEX1808U | Certificate No. (IECEX) | IECEXULD16.0036U |
| Max. voltage (ATEX) | 550 V | Current (ATEX) | 21 A |
| Wire cross section max. (ATEX) | 2.5 mm ² | Max. voltage (IECEX) | 550 V |
| Current (IECEX) | 21 A | Wire cross section max. (IECEX) | 2.5 mm ² |
| Marking EN 60079-7 | Ex eb II C Gb | Ex 2014/34/EU label | II 2 G D |

System specifications

| | | | |
|-------------------------------------|--|-------------------------------|-----|
| Version | Tension-clamp connection, can only be bridged at the clamping point, One end without connector | End cover plate required | Yes |
| Number of potentials | 1 | Number of levels | 1 |
| Number of clamping points per level | 4 | Number of potentials per tier | 1 |
| Levels cross-connected internally | Yes | PE connection | No |
| Mounting rail | TS 35 | N-function | No |
| PE function | No | PEN function | No |

ZDUB 2.5-2/4AN/RC

Weidmüller Interface GmbH & Co. KG
 Klingenbergstraße 26
 D-32758 Detmold
 Germany

www.weidmueller.com

Technical data

Additional technical data

| | | | |
|--------------------------|-------|---------------------|-----------------|
| Open sides | right | Installation advice | Direct mounting |
| Explosion-tested version | Yes | Type of mounting | Direct mounting |

CSA rating data

| | | | |
|-------------------------------|--------|-----------------------|-----------|
| Wire cross section max. (CSA) | 12 AWG | Voltage size C (CSA) | 600 V |
| Current size C (CSA) | 25 A | Certificate No. (CSA) | 12400-379 |
| Wire cross section min. (CSA) | 26 AWG | | |

Conductors for clamping (additional connection)

| | |
|--|--------------------------|
| Connection type, additional connection | Tension-clamp connection |
|--|--------------------------|

Conductors for clamping (rated connection)

| | | | |
|---|--|---------|----------------------|
| Gauge to IEC 60947-1 | A2 | | |
| Wire connection cross section AWG, max. | AWG 12 | | |
| Connection direction | top | | |
| Stripping length | 10 mm | | |
| Type of connection | Tension-clamp connection | | |
| Number of connections | 4 | | |
| Clamping range, max. | 4 mm ² | | |
| Clamping range, min. | 0.13 mm ² | | |
| Blade size | 0.6 x 3.5 mm | | |
| Wire connection cross section AWG, min. | AWG 26 | | |
| Wire connection cross-section, finely stranded with wire-end ferrules DIN 46228/4, max. | 1.5 mm ² | | |
| Wire connection cross-section, finely stranded with wire-end ferrules DIN 46228/4, min. | 0.13 mm ² | | |
| Wire connection cross-section, finely stranded with wire-end ferrules DIN 46228/1, max. | 1.5 mm ² | | |
| Wire connection cross-section, finely stranded with wire-end ferrules DIN 46228/1, min. | 0.13 mm ² | | |
| Wire connection cross section, finely stranded, max. | 2.5 mm ² | | |
| Wire connection cross section, finely stranded, min. | 0.13 mm ² | | |
| Connection cross-section, stranded, max. | 4 mm ² | | |
| Connection cross-section, stranded, min. | 0.13 mm ² | | |
| Wire connection cross-section, solid core, max. | 4 mm ² | | |
| Wire connection cross-section, solid core, min. | 0.13 mm ² | | |
| Connection cross-section, finely stranded, min. | 0.13 mm ² | | |
| Tube length for wire-end ferrule with plastic collar DIN 46228/4 | Tube length | min. | 6 mm |
| | | max. | 10 mm |
| | Cross-section for conductor connection | nominal | 0.5 mm ² |
| | Tube length | min. | 6 mm |
| | | max. | 10 mm |
| | Cross-section for conductor connection | nominal | 0.75 mm ² |

ZDUB 2.5-2/4AN/RC

Weidmüller Interface GmbH & Co. KG

Klingenbergstraße 26
D-32758 Detmold
Germany

www.weidmueller.com

Technical data

| | | | |
|---|--|---------------------|----------------------|
| Tube length for wire-end ferrule without plastic collar DIN 46228/1 | Tube length | min. | 6 mm |
| | | max. | 10 mm |
| | Cross-section for conductor connection | nominal | 1 mm ² |
| | Tube length | min. | 8 mm |
| | | max. | 10 mm |
| | Cross-section for conductor connection | nominal | 1.5 mm ² |
| | Tube length | nominal | 8 mm |
| | Cross-section for conductor connection | nominal | 2.5 mm ² |
| | Tube length | nominal | 10 mm |
| | Cross-section for conductor connection | nominal | 0.5 mm ² |
| | Tube length | nominal | 10 mm |
| | Cross-section for conductor connection | nominal | 0.75 mm ² |
| | Tube length | nominal | 10 mm |
| | Cross-section for conductor connection | nominal | 1.5 mm ² |
| Tube length | nominal | 10 mm | |
| Cross-section for conductor connection | nominal | 2.5 mm ² | |

Dimensions

| | |
|--------------|-------|
| TS 15 offset | 17 mm |
|--------------|-------|

General

| | | | |
|---|--------|---------------------|-----------------|
| Wire connection cross section AWG, max. | AWG 12 | Installation advice | Direct mounting |
| Wire connection cross section AWG, min. | AWG 26 | Standards | IEC 60947-7-1 |
| Mounting rail | TS 35 | | |

Rating data

| | | | |
|--|---------------------|---------------------------------|---------------|
| Rated cross-section | 2.5 mm ² | Rated voltage | 800 V |
| Rated DC voltage | 800 V | Nominal current | 24 A |
| Current at maximum wires | 30 A | Standards | IEC 60947-7-1 |
| Volume resistance according to IEC 60947-7-x | 1.33 mΩ | Rated impulse withstand voltage | 8 kV |
| Power loss in accordance with IEC 60947-7-x | 0.77 W | Pollution severity | 3 |

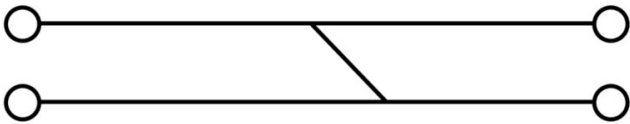
UL rating data

| | | | |
|--|--------|--|--------|
| Conductor size Factory wiring max. (cURus) | 12 AWG | Certificate No. (cURus) | E60693 |
| Conductor size Field wiring min. (cURus) | 26 AWG | Conductor size Factory wiring min. (cURus) | 26 AWG |
| Voltage size C (cURus) | 600 V | Current size C (cURus) | 20 A |
| Conductor size Field wiring max. (cURus) | 12 AWG | | |

Classifications

| | | | |
|-------------|-------------|-------------|-------------|
| ETIM 8.0 | EC000897 | ETIM 9.0 | EC000897 |
| ETIM 10.0 | EC000897 | ECLASS 14.0 | 27-25-01-01 |
| ECLASS 15.0 | 27-25-01-01 | | |

Drilling template



ZDUB 2.5-2/4AN