

## SAI-6-MH-5P M12

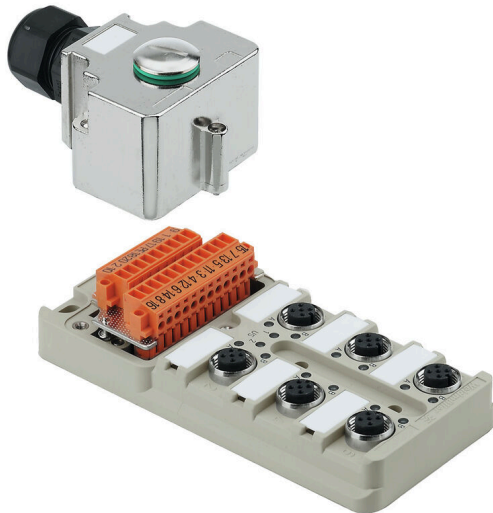
Weidmüller Interface GmbH &amp; Co. KG

Klingenbergstraße 26

D-32758 Detmold

Germany

www.weidmueller.com



Cable gland: M25 for cables with an outer insulation diameter from 13 mm to 18 mm. The SAI distributor with M25 cable gland is suitable among others for the following cable types:

- 21 x 0.50 mm
- 18 x 0.75 mm bis 21 x 0.75 mm
- 14 x 100 mm bis 20 x 100 mm
- 8 x 1.50 mm bis 16 x 1.50 mm

## General ordering data

|            |  |
|------------|--|
| Version    | Hood version with M20 outlet, M12, 30 V, A-coded, LED: Yes, LED initiator: Yes, Wiring type: PNP |
| Order No.  | <a href="#">1701242000</a>   |
| Type       | SAI-6-MH-5P M12  |
| GTIN (EAN) | 4032248184484  |
| Qty.       | 1 items  |

## SAI-6-MH-5P M12

**Weidmüller Interface GmbH & Co. KG**  
 Klingenbergstraße 26  
 D-32758 Detmold  
 Germany

www.weidmueller.com

## Technical data

### Approvals

|      |         |
|------|---------|
| ROHS | Conform |
|------|---------|

### Dimensions and weights

|            |        |                 |             |
|------------|--------|-----------------|-------------|
| Depth      | 127 mm | Depth (inches)  | 5 inch      |
| Height     | 55 mm  | Height (inches) | 2.1654 inch |
| Width      | 60 mm  | Width (inches)  | 2.3622 inch |
| Net weight | 462 g  |                 |             |

### Temperatures

|                       |            |
|-----------------------|------------|
| Operating temperature | -20 - 90°C |
|-----------------------|------------|

### Environmental Product Compliance

|                        |                             |
|------------------------|-----------------------------|
| RoHS Compliance Status | Compliant without exemption |
| REACH SVHC             | No SVHC above 0.1 wt%       |

### Connection data

|   |                              |   |                      |
|---|------------------------------|---|----------------------|
| Conductor O.D., min.  | 10 mm                        | Conductor O.D., max.  | 14 mm                |
| Cable gland   | M 20                         | Clamping range, min.  | 0.08 mm <sup>2</sup> |
| Clamping range, max.  | 1.5 mm <sup>2</sup>          | Wire connection cross section AWG, min.                             | AWG 28               |
| Wire connection cross section AWG, max.                             | AWG 14                       | Solid, min. H05(07) V-U   | 0.2 mm <sup>2</sup>  |
| Solid, max. H05(07) V-U   | 1.5 mm <sup>2</sup>          | Flexible, min. H05(07) V-K  | 0.2 mm <sup>2</sup>  |
| Flexible, max. H05(07) V-K  | 1.5 mm <sup>2</sup>          | w. plastic collar ferrule, DIN 46228 pt 4, 0.2 mm <sup>2</sup> min. |                      |
| w. plastic collar ferrule, DIN 46228 pt 4, 1.5 mm <sup>2</sup> max. |                              | w. wire end ferrule, DIN 46228 pt 1, min.                           | 0.2 mm <sup>2</sup>  |
| w. wire end ferrule, DIN 46228 pt 1, max.                           | 1.5 mm <sup>2</sup>          | Storage space   | gross                |
| Distributor outlet  | Hood version with M20 outlet |   |                      |

### Electrical data

|                                |      |   |       |
|--------------------------------|------|---|-------|
| Rated voltage, min.            | 10 V | Rated voltage, max.                     | 30 V  |
| Test voltage                   | 1 kV | Max. current-carrying capacity per slot | 4 A   |
| Total current                  | 10 A | Current per signal                      | 2 A   |
| Electrical isolation available | Yes  | Insulation resistance                   | 109 Ω |

### General technical data

|                                     |       |                             |         |
|-------------------------------------|-------|-----------------------------|---------|
| Protection degree                   | IP68  | Plug-in station coding      | A-coded |
| Number of poles                     | 5     | Number of contact sockets   | 6       |
| Connection thread                   | M12   | Pollution severity          | 3       |
| Fire behaviour                      | V-0   | Plugging cycles             | ≤ 50    |
| LED                                 | Yes   | LED initiator               | Yes     |
| LED colour for indicating operation | green | LED colour for I/O function | yellow  |

## SAI-6-MH-5P M12

**Weidmüller Interface GmbH & Co. KG**  
 Klingenbergstraße 26  
 D-32758 Detmold  
 Germany

[www.weidmueller.com](http://www.weidmueller.com)

## Technical data

### Material data

|                       |  |                          |                     |
|-----------------------|--|--------------------------|---------------------|
| Housing main material | Pocan (base module), Zinc diecast (hood) | Material of distributor  | metal               |
| Housing colour        | silver                                   | Hood sealing material    | Polyurethane foamed |
| Screw socket          | Nickel-plated CuZn                       | Contact material         | CuZn                |
| Contact surface       | Gold-plated                              | Contact carrier material | PBT (UL 94 V0)      |

### Technical data cable

|                      |       |                             |       |
|----------------------|-------|-----------------------------|-------|
| Number of poles      | 5     | Conductor O.D., max.        | 14 mm |
| Conductor O.D., min. | 10 mm | Suitable for cable carriers | No    |

### Classifications

|             |             |             |             |
|-------------|-------------|-------------|-------------|
| ETIM 8.0    | EC003558    | ETIM 9.0    | EC003558    |
| ETIM 10.0   | EC003558    | ECLASS 14.0 | 27-44-01-11 |
| ECLASS 15.0 | 27-44-01-11 |             |             |

SAI-6-MH-5P M12

Weidmüller Interface GmbH & Co. KG  
Klingenbergstraße 26  
D-32758 Detmold  
Germany

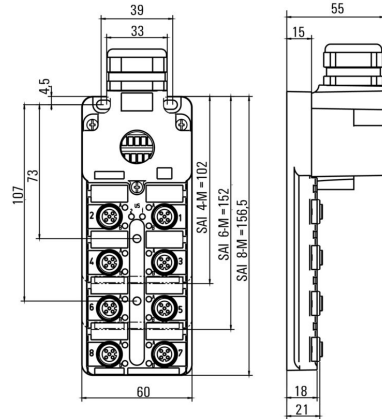
Drawings

www.weidmueller.com

Similar to illustration



Dimensioned drawing



Wiring diagram



## SAI-6-MH-5P M12

**Weidmüller Interface GmbH & Co. KG**  
 Klingenbergstraße 26  
 D-32758 Detmold  
 Germany

www.weidmueller.com

## Accessories

## M12



Protective caps protect unassigned plug-in stations against external influences.

## General ordering data

|            |                            |  |  |
|------------|----------------------------|--|--|
| Type       | SAI-SK-M12                 | Version  |  |
| Order No.  | <a href="#">9456050000</a> | Protected component assemblies, Protective cap |  |
| GTIN (EAN) | 4008190304058              |  |  |
| Qty.       | 30 ST                      |  |  |

## Screwty® cable gland tool with torque function



The ideal tool for any application  
 Screwty® is the ideal, all-purpose tool for tightening all common sensor and actuator cables. Even difficult-to-reach round plugs are accessible using the Screwty®. A simple turning movement tightens and loosens the connectors without the need for excessive force. The Screwty® is a unique and global solution since it fits with most cables and plugs from other vendors (over 90 %). The Screwty® consists of a handle with a conventional 1/4" adapter. Thus it can be used for all sizes: for M12 and M8 round plug-in connectors, and for M12F and M8F customisable plugs and sockets, as well as for all M23 plugs and sockets.

## General ordering data

|            |                            |   |  |
|------------|----------------------------|---|--|
| Type       | SCREWTY SET -DM            | Version   |  |
| Order No.  | <a href="#">1920000000</a> | Cable gland tool for M8, M12 lines and connectors |  |
| GTIN (EAN) | 4032248436859              |   |  |
| Qty.       | 1 ST                       |   |  |

## SAI-6-MH-5P M12

**Weidmüller Interface GmbH & Co. KG**  
Klingenbergstraße 26  
D-32758 Detmold  
Germany

[www.weidmueller.com](http://www.weidmueller.com)

## Accessories

### Blank



ESG is the tried-and-tested marker in MultiCard format for use on many well-known electrical devices. The result is high-quality device marking with a high-contrast appearance.

Various types are available for devices from manufacturers like Siemens, ABB, Beckhoff etc.

Advantages at a glance:

- Tags for universal usage, self-adhesive or clip-on tags, depending on type
- For aligned equipment, e.g. circuit breakers, we supply ESG markers for clipping onto tag rails
- Individual laser-quality printing according to specifications

For custom printing: Please send us a file of our labeling software M-Print PRO or M-Print PRO Online (without installation) for your labeling specifications.

### General ordering data

|            |                            |  |  |
|------------|----------------------------|--|--|
| Type       | ESG 8/20 K MC NE WS        | Version  |  |
| Order No.  | <a href="#">2558360000</a> | ESG, Device markers x 20 mm, PA 66, Colour: white, pluggable |  |
| GTIN (EAN) | 4050118569070              |  |  |
| Qty.       | 200 ST                     |  |  |