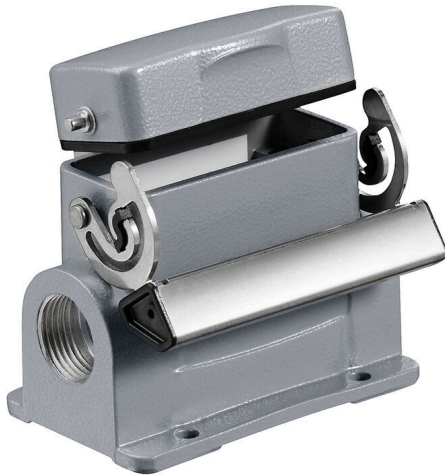


HDC 10A SDLU 2PG16G

Weidmüller Interface GmbH & Co. KG
 Klingenbergstraße 26
 D-32758 Detmold
 Germany

www.weidmueller.com



The special die-cast alloy and the multi-layered surface sealing provide complete protection for the HDC housings.

The cleverly designed interlock system is manufactured from stainless steel. This guarantees a long lifespan with high resistance to corrosion and impact.

The housing interlock system provides integrated safety. Our unique, patented spring system provides the housing interlock with a secure grip and prevents accidental opening.

The laser marking allows for easy and quick identification. Each housing is permanently labelled with a laser marking so that each product can be quickly designated and positioned.

Weidmüller RockStar® IP 65 / NEMA Type 4X housings - your first choice for industrial housings with IP 65 protection.

General ordering data

Version	HDC enclosures, Installation size: 2, Protection degree: IP65, in plugged condition, Base housing, End-locking clamp, lower side, Standard, with cover, Size of cable entries: PG 16
Order No.	1664420000
Type	HDC 10A SDLU 2PG16G
GTIN (EAN)	4008190421113
Qty.	1 items

HDC 10A SDLU 2PG16G

Weidmüller Interface GmbH & Co. KG
 Klingenbergstraße 26
 D-32758 Detmold
 Germany

www.weidmueller.com

Technical data

Approvals

Approvals



ROHS	Conform
UL File Number Search	UL Website
Certificate No. (cURus)	E92202

Dimensions and weights

Height	70 mm	Height (inches)	2.7559 inch
Width	76 mm	Width (inches)	2.9921 inch
Mounting dimension - height	40 mm	Mounting dimension - width	48 mm
Net weight	254 g		

Temperatures

Limit temperature	-40 °C ... 125 °C
-------------------	-------------------

Environmental Product Compliance

RoHS Compliance Status	Compliant without exemption
REACH SVHC	Potassium perfluorobutane sulfonate 29420-49-3
SCIP	e98b2b24-ba23-41bf-8d19-0dda3647412f

Chemical resistance	Substance	Acetone
	Chemical resistance	Conditionally resistant
	Substance	Drilling oil
	Chemical resistance	Resistant
	Substance	Diesel
	Chemical resistance	Resistant
	Substance	Ethyl alcohol
	Chemical resistance	Resistant
	Substance	Transmission oil
	Chemical resistance	Resistant
	Substance	Hydraulic oil
	Chemical resistance	Resistant
	Substance	Coolant
	Chemical resistance	Resistant
	Substance	Petroleum benzene
	Chemical resistance	Resistant
	Substance	Sweat
	Chemical resistance	Resistant
	Substance	Premium gasoline
	Chemical resistance	Conditionally resistant
Substance	Water	
Chemical resistance	Resistant	
Substance	UV	
Chemical resistance	Unstable	
Substance	Ozone	
Chemical resistance	Unstable	

Dimensions

Hole pitch length A2	48 mm	Cable entry	w. thread
Width housing C	30 mm	Width base C1	50 mm

HDC 10A SDLU 2PG16G

Weidmüller Interface GmbH & Co. KG
 Klingenbergstraße 26
 D-32758 Detmold
 Germany

www.weidmueller.com

Technical data

Total length housing	63 mm	Height of housing B	70 mm
Height of base B1	4 mm		

General data

Surface finish	Powder coating	Protection degree	IP65, in plugged condition
----------------	----------------	-------------------	----------------------------

Version

Size of cable entries	PG 16	Top part/bottom part/lid	lower part
Cover	with cover	Tightening torque	0.5 Nm
Number of cable entry on top	0	Number of cable entry sideways	2
Design of cover	with cover	Design of housing	Base housing
Design of locking system	End-locking clamp, lower side	Design	Standard
Installation size	2	Cable entry	w. thread
Type	Base housing	Clamp version	End-locking clamp
Sealing	NBR	Internal thread	PG 16
Colour (RAL)	RAL 7035	BG	2
Suitable for ModuPlug®	No		

Classifications

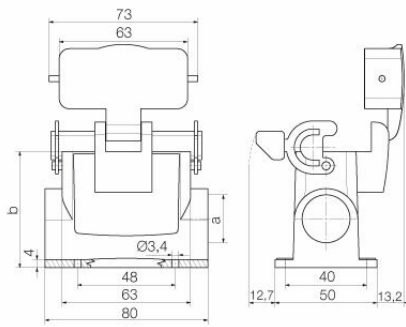
ETIM 8.0	EC000437	ETIM 9.0	EC000437
ETIM 10.0	EC000437	ECLASS 14.0	27-44-02-02
ECLASS 15.0	27-44-02-02		

HDC 10A SDLU 2PG16G

Weidmüller Interface GmbH & Co. KG
Klingenbergstraße 26
D-32758 Detmold
Germany

Drawings

www.weidmueller.com



HDC 10A SDLU 2PG16G

Weidmüller Interface GmbH & Co. KG
 Klingenbergstraße 26
 D-32758 Detmold
 Germany

Accessories

www.weidmueller.com

IP68 version



In addition to the extensive range of enclosures, Weidmüller offers a variety of cable glands for a wide range of applications. The cable glands made of brass, plastic and stainless steel meet the most various IP protection classes to suit any industrial enclosure. Depending on the series of cable glands and the application, the cable glands are approved and tested according to VDE, UL, UR, cULus, DNV GL or EN 45545.

General ordering data

Type	VG 16-MS68	Version
Order No.	1569100000	VG MS (standard brass cable gland), Cable glands, straight, PG 16,
GTIN (EAN)	4008190051969	6.5 mm, OD min. 10 - OD max. 14 mm, IP54, IP66, IP67, IP68 - 5 bar
Qty.	25 ST	(30 min.), IP69K, Brass, nickel-plated
Type	VG 16-K68	Version
Order No.	1569010000	VG K (standard plastic cable gland), Cable glands, straight, PG 16, 10
GTIN (EAN)	4008190004460	mm, OD min. 10 - OD max. 14 mm, IP54, IP66, IP67, IP68 - 5 bar (30
Qty.	50 ST	min.), Polyamide 6