

HDC 07A SLU 1PG11S

Weidmüller Interface GmbH & Co. KG

Klingenbergstraße 26

D-32758 Detmold

Germany

www.weidmueller.com



The special die-cast alloy and the multi-layered surface sealing provide complete protection for the HDC housings.

The cleverly designed interlock system is manufactured from stainless steel. This guarantees a long lifespan with high resistance to corrosion and impact.

The housing interlock system provides integrated safety. Our unique, patented spring system provides the housing interlock with a secure grip and prevents accidental opening.

The laser marking allows for easy and quick identification. Each housing is permanently labelled with a laser marking so that each product can be quickly designated and positioned.

Weidmüller RockStar® IP 65 / NEMA Type 4X housings - your first choice for industrial housings with IP 65 protection.

General ordering data

Version	HDC enclosures, Installation size: 1, Protection degree: IP65, in plugged condition, Base housing, Side-locking clamp on lower side, Standard, Size of cable entries: PG 11
Order No.	1652440000
Type	HDC 07A SLU 1PG11S
GTIN (EAN)	4008190402518
Qty.	1 items

Technical data

Approvals

Approvals



ROHS	Conform
UL File Number Search	UL Website
Certificate No. (cURus)	E92202

Dimensions and weights

Depth	26 mm	Depth (inches)	1.0236 inch
Height	53 mm	Height (inches)	2.0866 inch
Width	37 mm	Width (inches)	1.4567 inch
Mounting dimension - width	30 mm	Net weight	23 g

Temperatures

Limit temperature	-40 °C ... 125 °C
-------------------	-------------------

Environmental Product Compliance

RoHS Compliance Status	Compliant without exemption
REACH SVHC	Potassium perfluorobutane sulfonate 29420-49-3
SCIP	2f94735a-9fba-4903-842f-4fb9aa902310

Chemical resistance	Substance	Acetone
	Chemical resistance	Conditionally resistant
	Substance	Drilling oil
	Chemical resistance	Resistant
	Substance	Diesel
	Chemical resistance	Resistant
	Substance	Ethyl alcohol
	Chemical resistance	Resistant
	Substance	Transmission oil
	Chemical resistance	Resistant
	Substance	Hydraulic oil
	Chemical resistance	Resistant
	Substance	Coolant
	Chemical resistance	Resistant
	Substance	Petroleum benzene
	Chemical resistance	Resistant
	Substance	Sweat
	Chemical resistance	Resistant
	Substance	Premium gasoline
	Chemical resistance	Conditionally resistant
Substance	Water	
Chemical resistance	Resistant	
Substance	UV	
Chemical resistance	Unstable	
Substance	Ozone	
Chemical resistance	Unstable	

Dimensions

Hole pitch length A2	30 mm	Cable entry	w. Supports
Width housing C	24 mm	Width base C1	42 mm

HDC 07A SLU 1PG11S

Weidmüller Interface GmbH & Co. KG
 Klingenbergstraße 26
 D-32758 Detmold
 Germany

www.weidmueller.com

Technical data

Total length housing	27 mm	Height of housing B	42 mm
Height of base B1	3 mm		

General data

Tightening torque	0.5 Nm	UL 94 flammability rating	V-0
Housing main material	Plastic	Protection degree	IP65, in plugged condition
EMC housings	No	Material of locking element	Stainless steel, rust-proof

Version

Number of cable glands	0	Size of cable entries	PG 11
Top part/bottom part/lid	lower part	Cover	without cover
Tightening torque	0.5 Nm	Number of cable entry on top	0
Number of cable entry sideways	1	Design of housing	Base housing
Design of locking system	Side-locking clamp on lower side	Design	Standard
Installation size	1	Cable entry	w. Supports
Type	Base housing	Clamp version	Side-locking clamp
Sealing	no sealing	Internal thread	PG 11
Colour (RAL)	RAL 1001	BG	1
Suitable for ModuPlug®	No		

Classifications

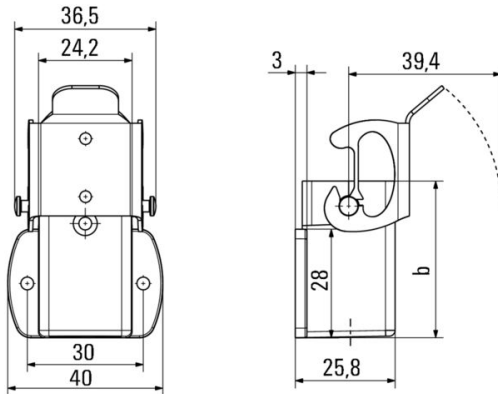
ETIM 8.0	EC000437	ETIM 9.0	EC000437
ETIM 10.0	EC000437	ECLASS 14.0	27-44-02-02
ECLASS 15.0	27-44-02-02		

HDC 07A SLU 1PG11S

Weidmüller Interface GmbH & Co. KG
Klingenbergstraße 26
D-32758 Detmold
Germany

Drawings

www.weidmueller.com



HDC 07A SLU 1PG11S

Weidmüller Interface GmbH & Co. KG
 Klingenbergstraße 26
 D-32758 Detmold
 Germany

www.weidmueller.com

Accessories

Cover



The special die-cast alloy and the multi-layered surface sealing provide complete protection for the HDC housings.

The cleverly designed interlock system is manufactured from stainless steel. This guarantees a long lifespan with high resistance to corrosion and impact.

The housing interlock system provides integrated safety. Our unique, patented spring system provides the housing interlock with a secure grip and prevents accidental opening.

The laser marking allows for easy and quick identification. Each housing is permanently labelled with a laser marking so that each product can be quickly designated and positioned.

Weidmüller RockStar® IP 65 / NEMA Type 4X housings - your first choice for industrial housings with IP 65 protection.

General ordering data

Type	HDC 07A DODL 2BO	Version
Order No.	1665760000	HDC enclosures, Installation size: 1, Protection degree: IP65, in
GTIN (EAN)	4008190422783	plugged condition, Cover for lower part of housing, Side-locking
Qty.	1 ST	clamp on lower side, Standard
Type	HDC 07A DMDL 2BO	Version
Order No.	1665770000	HDC enclosures, Installation size: 1, Protection degree: IP65, in
GTIN (EAN)	4008190422790	plugged condition, Cover for lower part of housing, Side-locking
Qty.	1 ST	clamp on lower side, Standard