

## HDC 07A AWLU

Weidmüller Interface GmbH &amp; Co. KG

Klingenbergstraße 26

D-32758 Detmold

Germany

www.weidmueller.com



The special die-cast alloy and the multi-layered surface sealing provide complete protection for the HDC housings.

The cleverly designed interlock system is manufactured from stainless steel. This guarantees a long lifespan with high resistance to corrosion and impact.

The housing interlock system provides integrated safety. Our unique, patented spring system provides the housing interlock with a secure grip and prevents accidental opening.

The laser marking allows for easy and quick identification. Each housing is permanently labelled with a laser marking so that each product can be quickly designated and positioned.

Weidmüller RockStar® IP 65 / NEMA Type 4X housings - your first choice for industrial housings with IP 65 protection.

#### General ordering data

Version	HDC enclosures, Installation size: 1, Protection degree: IP65, in plugged condition, Bulkhead housing, Side-locking clamp on lower side, Standard
Order No.	<a href="#">1652420000</a>
Type	HDC 07A AWLU
GTIN (EAN)	4008190402471
Qty.	1 items

HDC 07A AWLU

**Weidmüller Interface GmbH & Co. KG**  
 Klingenbergstraße 26  
 D-32758 Detmold  
 Germany

www.weidmueller.com

Technical data

Approvals

Approvals



ROHS	Conform
UL File Number Search	<a href="#">UL Website</a>
Certificate No. (cURus)	E92202

Dimensions and weights

Depth	66 mm	Depth (inches)	2.5984 inch
Height	53 mm	Height (inches)	2.0866 inch
Width	37 mm	Width (inches)	1.4567 inch
Mounting dimension - width	30 mm	Net weight	20.24 g

Temperatures

Limit temperature	-40 °C ... 125 °C
-------------------	-------------------

Environmental Product Compliance

RoHS Compliance Status	Compliant without exemption
REACH SVHC	Potassium perfluorobutane sulfonate 29420-49-3
SCIP	2f94735a-9fba-4903-842f-4fb9aa902310

Chemical resistance	Substance	Acetone
	Chemical resistance	Conditionally resistant
	Substance	Drilling oil
	Chemical resistance	Resistant
	Substance	Diesel
	Chemical resistance	Resistant
	Substance	Ethyl alcohol
	Chemical resistance	Resistant
	Substance	Transmission oil
	Chemical resistance	Resistant
	Substance	Hydraulic oil
	Chemical resistance	Resistant
	Substance	Coolant
	Chemical resistance	Resistant
	Substance	Petroleum benzene
	Chemical resistance	Resistant
	Substance	Sweat
	Chemical resistance	Resistant
	Substance	Premium gasoline
	Chemical resistance	Conditionally resistant
Substance	Water	
Chemical resistance	Resistant	
Substance	UV	
Chemical resistance	Unstable	
Substance	Ozone	
Chemical resistance	Unstable	

Dimensions

Hole pitch length A2	30 mm	Cable entry	angled
Width housing C	24 mm	Width base C1	42 mm

## HDC 07A AWLU

**Weidmüller Interface GmbH & Co. KG**  
 Klingenbergstraße 26  
 D-32758 Detmold  
 Germany

www.weidmueller.com

## Technical data

Total length housing	42 mm	Height of housing B	27 mm
Height of base B1	3 mm		

### General data

UL 94 flammability rating	V-0	Protection degree	IP65, in plugged condition
---------------------------	-----	-------------------	----------------------------

### Version

Number of cable glands	0	Top part/bottom part/lid	lower part
Cover	without cover	Tightening torque	0.5 Nm
Number of cable entry sideways	0	Design of housing	Bulkhead housing
Design of locking system	Side-locking clamp on lower side	Design	Standard
Installation size	1	Cable entry	angled
Type	Bulkhead (feed-through)	Clamp version	Side-locking clamp
Sealing	NBR	Colour (RAL)	RAL 1001
BG	1	Suitable for ModuPlug®	No

### Important note

Product information	When mounting the housings, make sure that the flat gasket is correctly seated.
---------------------	---

### Classifications

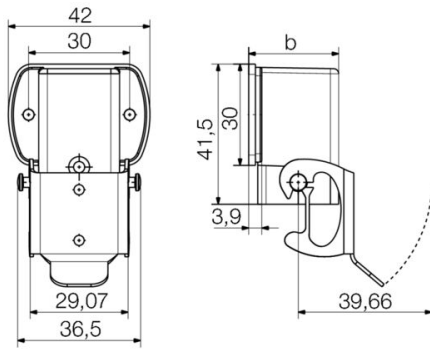
ETIM 8.0	EC000437	ETIM 9.0	EC000437
ETIM 10.0	EC000437	ECLASS 14.0	27-44-02-02
ECLASS 15.0	27-44-02-02		

**HDC 07A AWLU**

**Weidmüller Interface GmbH & Co. KG**  
Klingenbergstraße 26  
D-32758 Detmold  
Germany

**Drawings**

[www.weidmueller.com](http://www.weidmueller.com)



## HDC 07A AWLU

Weidmüller Interface GmbH &amp; Co. KG

Klingenbergstraße 26

D-32758 Detmold

Germany

www.weidmueller.com

## Accessories

## Cover



The special die-cast alloy and the multi-layered surface sealing provide complete protection for the HDC housings.

The cleverly designed interlock system is manufactured from stainless steel. This guarantees a long lifespan with high resistance to corrosion and impact.

The housing interlock system provides integrated safety. Our unique, patented spring system provides the housing interlock with a secure grip and prevents accidental opening.

The laser marking allows for easy and quick identification. Each housing is permanently labelled with a laser marking so that each product can be quickly designated and positioned.

Weidmüller RockStar® IP 65 / NEMA Type 4X housings - your first choice for industrial housings with IP 65 protection.

## General ordering data

Type	HDC 07A DODL 2BO	Version
Order No.	<a href="#">1665760000</a>	HDC enclosures, Installation size: 1, Protection degree: IP65, in
GTIN (EAN)	4008190422783	plugged condition, Cover for lower part of housing, Side-locking
Qty.	1 ST	clamp on lower side, Standard
Type	HDC 07A DMDL 2BO	Version
Order No.	<a href="#">1665770000</a>	HDC enclosures, Installation size: 1, Protection degree: IP65, in
GTIN (EAN)	4008190422790	plugged condition, Cover for lower part of housing, Side-locking
Qty.	1 ST	clamp on lower side, Standard