

HDC-C-HE-SM2.5AU

Weidmüller Interface GmbH & Co. KG
Klingenbergstraße 26
D-32758 Detmold
Germany

www.weidmueller.com



Crimps provide a electrical and mechanical connection between wire and contact that is both secure and reliable. The optimal crimp connection is gas-tight and corrosion-resistant.

General ordering data

Version	Heavy-duty connectors, Crimp contact, HE, HEE, HQ, MixMate, Male, Conductor cross-section, max.: 2.5, turned, Copper alloy
Order No.	1651450000
Type	HDC-C-HE-SM2.5AU
GTIN (EAN)	4008190400125
Qty.	100 items

HDC-C-HE-SM2.5AU

Weidmüller Interface GmbH & Co. KG
Klingenbergstraße 26
D-32758 Detmold
Germany

www.weidmueller.com

Technical data

Approvals

Approvals



ROHS Conform

UL File Number Search [UL Website](#)

Certificate No. (cURus) E92202

Dimensions and weights

Diameter	4.5 mm	Net weight	1.34 g
----------	--------	------------	--------

Environmental Product Compliance

RoHS Compliance Status Compliant with exemption

RoHS Exemption (if applicable/known) 6c

REACH SVHC Lead 7439-92-1

SCIP 6eabd5ae-2d6b-409e-8bdf-87c27ee10e40

General data

Contact diameter, male Ø	2.5 mm	Stripping length, rated connection	7.5 mm
Type of connection	Crimp connection	Version insert	HE, HEE, HQ, MixMate
Volume resistance	≤2 mΩ	Conductor cross-section, max.	2.5 mm ²
Conductor cross-section, min.	2.5 mm ²	Surface finish	gold
Plugging cycles	≥ 500	Type	Male
Basic material	Copper alloy	Series	HE
Production methods	turned	Cross-section for connected wire	2.5 - 2.5 mm ²
Material of contact	Copper alloy		

Classifications

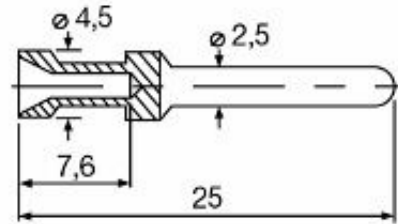
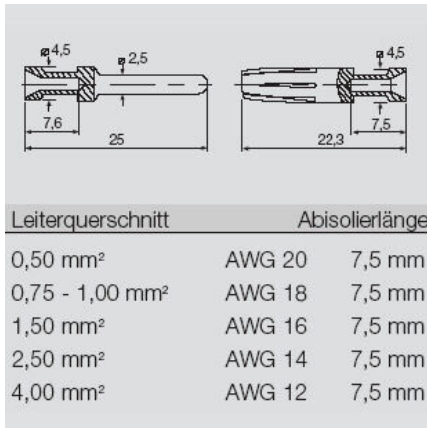
ETIM 8.0	EC000796	ETIM 9.0	EC000796
ETIM 10.0	EC000796	ECLASS 14.0	27-44-02-04
ECLASS 15.0	27-44-02-04		

HDC-C-HE-SM2.5AU

Weidmüller Interface GmbH & Co. KG
 Klingenbergstraße 26
 D-32758 Detmold
 Germany

www.weidmueller.com

Drawings



HDC-C-HE-SM2.5AU

Weidmüller Interface GmbH & Co. KG
 Klingenbergstraße 26
 D-32758 Detmold
 Germany

www.weidmueller.com

Accessories

Crimping tools



Crimping tools for turned contacts

- Ratchet guarantees precise crimping
- Release option in the event of incorrect operation
- With stop for exact positioning of the contacts.

General ordering data

Type	CTX CM 1.6/2.5	Version	
Order No.	9018490000	Pressing tool, Crimping tool for contacts, 0.14mm ² , 4mm ² , W crimp	
GTIN (EAN)	4008190884598		
Qty.	1 ST		

Type	CTIN CM 1.6/2.5	Version	
Order No.	9205430000	Pressing tool, Crimping tool for contacts, 0.14mm ² , 6mm ² , 4-indent crimp	
GTIN (EAN)	4032248733446		
Qty.	1 ST		

Contact removal tools



Weidmüller offers a variety of crimping tools, contact removal tools, and fibre optic tools.

General ordering data

Type	REMOVAL TOOL HE	Version	
Order No.	1866750000	Tools, Contact Removal Tool	
GTIN (EAN)	4032248437078		
Qty.	1 ST		