

SAI-4-M-MVV-M12 S-COD**Weidmüller Interface GmbH & Co. KG**

Klingenbergstraße 26

D-32758 Detmold

Germany

www.weidmueller.com

Your peripheral devices should be supplied with greater power. With our new M12 plug-in connector, more than 250 V and 2 A is possible without problems. The compact A-, K-, L-, S- and T-coded M12 plug-in connectors are designed for the transmission of up to 630 V AC or 60 V DC and 12 A.

General ordering data

Version	Hood version, M12, 400 V, S-coded, LED: Yes, LED initiator: , Wiring type:
Order No.	1542580000
Type	SAI-4-M-MVV-M12 S-COD
GTIN (EAN)	4050118347326
Qty.	1 items

SAI-4-M-MVV-M12 S-COD

Weidmüller Interface GmbH & Co. KG
Klingenbergstraße 26
D-32758 Detmold
Germany

www.weidmueller.com

Technical data

Approvals

Approvals



ROHS Conform

Dimensions and weights

Net weight 200 g

Temperatures

Operating temperature -20 - 80

Environmental Product Compliance

RoHS Compliance Status Compliant with exemption

RoHS Exemption (if applicable/known) 6c

REACH SVHC Lead 7439-92-1

SCIP 4060c755-8d0b-4d43-bdb3-4ffabe9d7497

Connection data

Conductor O.D., min.	6 mm	Conductor O.D., max.	12 mm
Sheathing stripping length	40 mm	Cable gland	M 20
Clamping range, min.	0.2 mm ²	Clamping range, max.	6 mm ²
Storage space	Standard	Distributor outlet	Hood version
Connection type PE	Screw connection		

Electrical data

Rated voltage, max.	400 V	Rated voltage	400 V AC
Max. current-carrying capacity per slot	27.6 A	Total current	27.6 A
Current per signal	10 A	Electrical isolation available	No

General technical data

Protection degree	IP68	Plug-in station coding	S-coded
Number of poles	4	Number of contact sockets	4
Connection thread	M12	Pollution severity	3
Fire behaviour	V-0	Plugging cycles	≥ 50
LED	Yes	LED colour for indicating operation	yellow

Material data

Housing main material	Pocan	Material of distributor	Plastic
Housing colour	grey, RAL 7032	Hood sealing material	Viton
Screw socket	Nickel-plated CuZn	Contact material	CuZn
Contact surface	Gold-plated	Contact carrier material	PBT (UL 94 V0)

Technical data cable

Number of poles	4	Conductor O.D., max.	12 mm
Conductor O.D., min.	6 mm	Suitable for cable carriers	No

SAI-4-M-MVV-M12 S-COD

Weidmüller Interface GmbH & Co. KG
Klingenbergstraße 26
D-32758 Detmold
Germany

www.weidmueller.com

Technical data

Classifications

ETIM 8.0	EC003558	ETIM 9.0	EC003558
ETIM 10.0	EC003558	ECLASS 14.0	27-44-01-11
ECLASS 15.0	27-44-01-11		

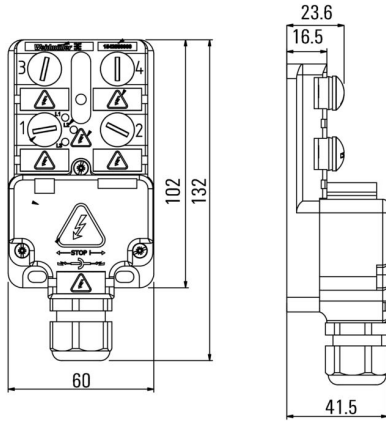
SAI-4-M-MVV-M12 S-COD

Weidmüller Interface GmbH & Co. KG
Klingenbergstraße 26
D-32758 Detmold
Germany

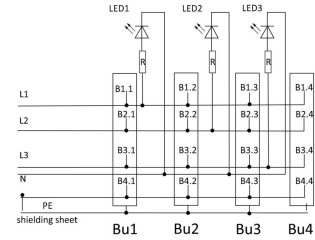
www.weidmueller.com

Drawings

Dimensioned drawing



Wiring diagram



Printing

