

**ACT20P-CI-VO-P-S**

**Weidmüller Interface GmbH & Co. KG**  
Klingenbergstraße 26  
D-32758 Detmold  
Germany

www.weidmueller.com

**Product image**

ACT20P: The flexible solution

- Precise and highly functional signal converters
- Release levers simplify handling

**General ordering data**

Version	Analogue isolating amplifier, Input : 0(4)-20 mA, Output : 0-10 V, Voltage supply also via CH20M rail bus, Signal converter/isolator
Order No.	<a href="#">1537750000</a>
Type	ACT20P-CI-VO-P-S
GTIN (EAN)	4050118342147
Qty.	1 items

## ACT20P-CI-VO-P-S

Weidmüller Interface GmbH &amp; Co. KG

Klingenbergstraße 26

D-32758 Detmold

Germany

www.weidmueller.com

## Technical data

## Approvals

Approvals



ROHS	Conform
UL File Number Search	<a href="#">UL Website</a>
Certificate no. (cULus)	E366074
Certificate no. (cULusEX)	E338066

## Dimensions and weights

Depth	113.7 mm	Depth (inches)	4.4764 inch
Height	119.2 mm	Height (inches)	4.6929 inch
Width	12.5 mm	Width (inches)	0.4921 inch
Net weight	140 g		

## Temperatures

Storage temperature	-40 °C...85 °C	Operating temperature	-20 °C...60 °C
Humidity at operating temperature	0...95 % (no condensation)	Humidity	5...95 %, no condensation

## Probability of failure

SIL in compliance with IEC 61508 None

## Environmental Product Compliance

RoHS Compliance Status	Compliant with exemption
RoHS Exemption (if applicable/known)	7a, 7cI
REACH SVHC	Lead 7439-92-1
SCIP	2f6dd957-421a-46db-a0c2-cf1609156924

## Input

Sensor	2-wire transmitter (without own power supply), 3-wire sensor, 4-wire sensor (with own power supply)	Number inputs	1
Sensor supply	> 17 V DC at 20 mA	Input signal	2-/3-wire transmitter, Current source
Input current	0...20 mA, 4...20mA	Voltage drop	≤ 1 V

## Output

Number of outputs	1	load impedance voltage	≥ 600 kΩ
Load impedance current	≤ 550 Ω	Type	active, connected control must be passive
Output voltage, note	0...10 V (if input: 0...20 mA), 2...10 V (if input: 4...20 mA)		

## General data

Accuracy	<0.1 % of end value	Protection degree	IP20
Supply voltage	20...30 V DC	Step response time	≤ 0,5 ms

## ACT20P-CI-VO-P-S

Weidmüller Interface GmbH &amp; Co. KG

Klingenbergstraße 26

D-32758 Detmold

Germany

www.weidmueller.com

## Technical data

Current consumption	≤60 mA (24V power supply, 20mA output)	Mounting rail	TS 35
Temperature coefficient	80 ppm/K	Nominal power consumption	2 VA
Configuration	none	Operating altitude	≤ 2000 m

## Insulation coordination

Impulse withstand voltage	4 kV (1.2/50 μs)	EMC standards	EN 61326-1, EN 61000-6-2, EN 61000-6-4
Test voltage	0.3 kV	Surge voltage category	III
Pollution severity	2	Galvanic isolation	3-way isolator, between input/output/supply
Insulation voltage	2 kV inputs / outputs / power supply		

## Data for Ex applications (ATEX)

Marking	II 3 G Ex ec IIC T5 Gc	IECEX - gas labelling	Ex ec IIC T5 Gc
---------	------------------------	-----------------------	-----------------

## Connection data

Type of connection	Screw connection	Tightening torque, min.	0.4 Nm
Tightening torque, max.	0.6 Nm	Clamping range, rated connection	2.5 mm <sup>2</sup>
Clamping range, min.	0.5 mm <sup>2</sup>	Clamping range, max.	2.5 mm <sup>2</sup>
Wire connection cross section AWG, min.	AWG 26	Wire connection cross section AWG, max.	AWG 12

## Part description

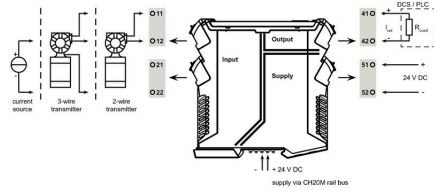
Product description	<p>The fixed DC repeater ACT20P-CI-VO isolates analogue standard current signals from a power source or from a 2- or 3-wire sensor. An analogue input current signal is converted linear and galvanic isolated into an analogue output voltage signal. The power supply is galvanically isolated from input and output (3-way isolation).</p> <p>Features</p> <ul style="list-style-type: none"> <li>• The active or passive mA current signal inputs are completely electrically isolated.</li> <li>• Front LED indicates operation status.</li> <li>• 3-way galvanic isolation between input, output and power supply</li> </ul>		
---------------------	--	--	--

## Classifications

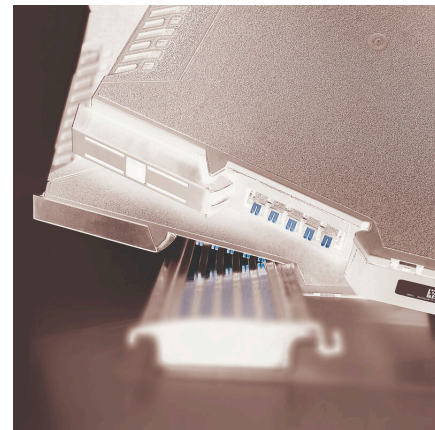
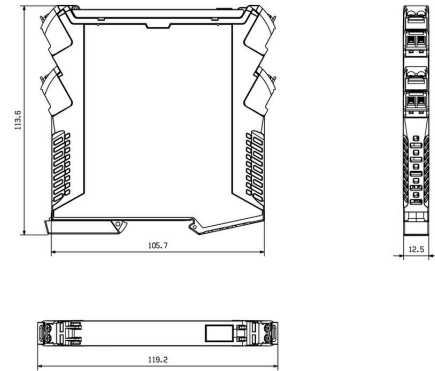
ETIM 8.0	EC002653	ETIM 9.0	EC002653
ETIM 10.0	EC002653	ECLASS 14.0	27-21-01-20
ECLASS 15.0	27-21-01-20		

**Drawings**

**Connection diagram**



**Dimensioned drawing**



Additional power supply option via bus