

KLIPPON CS K41-1

Weidmüller Interface GmbH & Co. KG

Klingenbergstraße 26

D-32758 Detmold

Germany

www.weidmueller.com



On-site control with Ex-certified Klippon® Control Station: small command and signalling devices.

Approved operating and display elements in stainless steel, aluminium or polyester enclosures.

You want to control and safeguard your work processes in hazardous areas. For on-site control - approved Klippon® enclosure solutions with control and display elements.

General ordering data

Version	Klippon Control Station (control and signalling device), Control / signalling device, KLIPPON K41 EX Aluminium AISi12, Pushbutton - green, 1 NC contact, 1 NO contacts, -55 °C...55 °C, IP54, IP66
Order No.	1537480000
Type	KLIPPON CS K41-1
GTIN (EAN)	4050118341751
Qty.	1 items
Delivery status	Discontinued
Available until	2024-08-31T00:00:00+02:00

KLIPPON CS K41-1

Weidmüller Interface GmbH & Co. KG

Klingenbergstraße 26

D-32758 Detmold

Germany

www.weidmueller.com

Technical data

Approvals

Approvals



Dimensions and weights

Depth	81 mm	Depth (inches)	3.189 inch
Depth with add-on components	94 mm	Height	122 mm
Height (inches)	4.8031 inch	Width	120 mm
Width (inches)	4.7244 inch	Net weight	962 g

Temperatures

Ambient temperature	-55 °C...55 °C	Operating temperature	
---------------------	----------------	-----------------------	--

Environmental Product Compliance

RoHS Compliance Status	Compliant with exemption
RoHS Exemption (if applicable/known)	6bl, 6c
REACH SVHC	Lead 7439-92-1
SCIP	d75c8142-044b-4eeb-8182-dc036aa6a21e

Certificate numbers enclosure

Certificate no. Terminal Box (ATEX)	TÜV 14 ATEX 7606 X	Certificate no. Terminal Box (INMETRO)	LMP 21.0019X
Certificate no. Terminal Box (IECEX)	IECEX ITA 14.0013X	Certificate No. (IECEX)	IECEXITA14.0013X
Certificate No. (ATEX)	TUEV14ATEX7606X		

General information

1 Position in enclosure	Pushbutton - green	Contact design	1 NC contact, 1 NO contacts
Operating voltage, max.	400 V	Operating current at 40°C ambient temperature, max.	1.5 mm ² - T6 10 A, 1.5 mm ² - T5 16 A, 2.5 mm ² - T6 16 A
Operating current at 55°C ambient temperature, max.	1.5 mm ² - T4 16 A, 1.5 mm ² - T5 10 A, 2.5 mm ² - T5 16 A	Actuators	Pushbutton
Actuator colour	green	Drill holes side B	1 x M20
Lid attachment	Torx®-20 slothead screws	Seal material of operating and display elements	EPDM
Enclosure seal material	Silicone (VMQ)	Torque for lid screws	2.5 Nm
Earth stud torque	2.5 Nm	External earth	M4 earthing studs, stainless steel
Internal earth	Earth terminal	Cable gland	VG M20 EXE MS
Marking	II 2 G Ex d e IIC T* Gb, II 2 D Ex tb IIIC T*°C Db	Cable gland clamping area, max.	12 mm
Cable gland clamping area, min.	3 mm	Wire connection cross section, finely stranded, max.	2.5 mm ²
Type of mounting	Wall mounting	Surface finish	Powder-coated
Reference product	KLIPPON K41 EX	Impact resistance	7 joules in acc. with IEC60079-0
Temperature class	T4, T5, T6	Basic material	Aluminium AlSi12

KLIPPON CS K41-1

Weidmüller Interface GmbH & Co. KG
 Klingenbergstraße 26
 D-32758 Detmold
 Germany

www.weidmueller.com

Technical data

Material data

Surface finish	Powder-coated	Basic material	Aluminium AlSi12
----------------	---------------	----------------	------------------

General data

Colour	Silver grey	Protection degree	IP54, IP66
Colour chart (similar)	RAL 7001		

Housing

Basic material	Aluminium AlSi12	Drill holes side B	1 x M20
----------------	------------------	--------------------	---------

Standard features

Version	Ex-approved housing solutions with control and display elements	Reference product	KLIPPON K41 EX
---------	---	-------------------	--------------------------------

Classifications

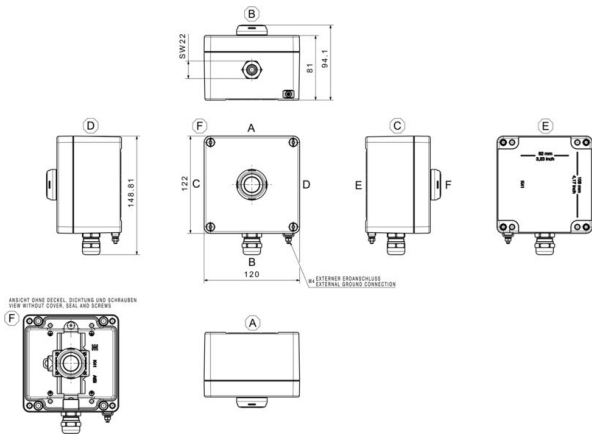
ETIM 8.0	EC002503	ETIM 9.0	EC002503
ETIM 10.0	EC002503	ECLASS 14.0	27-18-05-02
ECLASS 15.0	27-18-05-02		

KLIPPON CS K41-1

Weidmüller Interface GmbH & Co. KG
 Klingenbergstraße 26
 D-32758 Detmold
 Germany

Drawings

www.weidmueller.com



KLIPPON CS K41-1

Weidmüller Interface GmbH & Co. KG
Klingenbergstraße 26
D-32758 Detmold
Germany

www.weidmueller.com

Accessories

Klippon® K - Wall-mounted holder



The system accessories for the Klippon® K enclosure series allows you to easily adapt the enclosures to meet the specific requirements of every application.

- DIN Rails TS 35 and TS 15
- Mounting plates
- Hinges
- Wall-mounted holder

Weidmüller can manufacture and supply this enclosure - according to customer specifications - fitted with all necessary terminals and cable glands.

General ordering data

Type	KLIPPON K MF KIT 25	Version
Order No.	9527590000	Klippon K (aluminium empty enclosure), Mounting foot, Fixing lugs,
GTIN (EAN)	4032248014071	Height: 70 mm, Width: 33.5 mm, Depth: 12 mm, Basic material:
Qty.	1 ST	Stainless steel 1.4301, silver