

**SAIE-7/8B-5-2.0U-H****Weidmüller Interface GmbH & Co. KG**Klingenbergstraße 26  
D-32758 Detmold  
Germany

www.weidmueller.com

**Similar to illustration**

Various build-in connectors are required for the connections on the device side of the sensor/actuator cabling. These are available in the versions M12, M8 and M5.

**General ordering data**

Version	Built-in plugs, 7/8", Female socket, straight, Mounting thread: M26 x 1.5, Number of poles: 5, Strand / cable length: 2 m
Order No.	<a href="#">1534970000</a>
Type	SAIE-7/8B-5-2.0U-H
GTIN (EAN)	4050118339024
Qty.	1 items

## SAIE-7/8B-5-2.0U-H

Weidmüller Interface GmbH & Co. KG  
Klingenbergstraße 26  
D-32758 Detmold  
Germany

www.weidmueller.com

## Technical data

## Approvals

Approvals



ROHS	Conform
UL File Number Search	<a href="#">UL Website</a>
Certificate No. (cURus)	E307231

## Dimensions and weights

Net weight	200 g
------------	-------

## Environmental Product Compliance

RoHS Compliance Status	Compliant with exemption
RoHS Exemption (if applicable/known)	6c
REACH SVHC	Lead 7439-92-1
SCIP	7baf363e-d867-435e-844e-c01f32ebf146

## Technical specifications for cable

Core cross-section	0.75 mm <sup>2</sup>	Strand / cable length	2 m
Colour coding	black, blue, Green/yellow, brown, white	Number of poles	5

## Technical data customisable plug-in connectors

Number of poles	5	Coding	none
Contact surface	Gold-plated	Type of connection	Socket connector
Housing main material	Zinc diecast, nickel-plated	Contact material	CuZn
Nominal voltage	300 V	Nominal current	8 A
Protection degree	IP67, when screwed in	Plugging cycles	≥ 100
Cable gland	7/8"	Temperature range of housing	-25...+85 °C

## General data

Number of poles	5
Coding	none
Connection thread	7/8"
Contact surface	Gold-plated
Tightening torque	1.5 Nm
Core cross-section	0.75 mm <sup>2</sup>
Type of connection	Socket connector
Housing main material	Zinc diecast, nickel-plated
Contact material	CuZn
Nominal voltage	300 V
Nominal current	8 A
Protection degree	IP67, when screwed in
Plugging cycles	≥ 100
Cable gland	7/8"
Basic material	PUR/ PUR
Rated voltage	300 V
Connection 1	7/8"
Connection 2	Flying wires
Strand / cable length	2 m
Rated impulse voltage	4000 V

## SAIE-7/8B-5-2.0U-H

**Weidmüller Interface GmbH & Co. KG**  
Klingenbergstraße 26  
D-32758 Detmold  
Germany

[www.weidmueller.com](http://www.weidmueller.com)

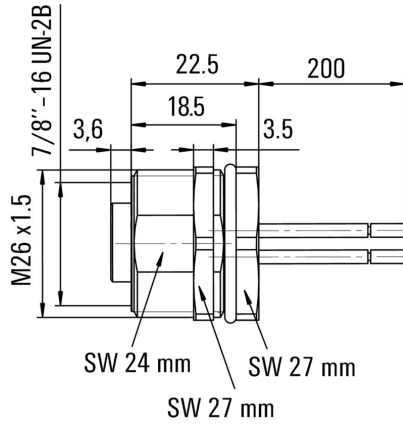
## Technical data

Mounting thread	M26 x 1.5	
Mounting torque range	11.8 ... 12 Nm	
Rated voltage (UL)	600 V	
Mounting torque	min.	11.8 Nm
	max.	12 Nm
Temperature range of housing	-25...+85 °C	
Conductor O.D.	-	

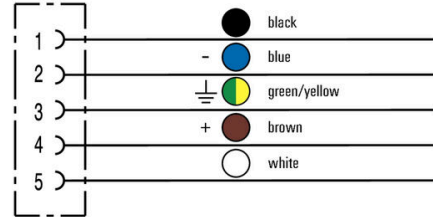
## Classifications

ETIM 8.0	EC003570	ETIM 9.0	EC003570
ETIM 10.0	EC003570	ECLASS 14.0	27-44-01-03
ECLASS 15.0	27-44-01-03		

**Dimensioned drawing**



**Wiring diagram**



**Pole scheme**

