

IE-BS-M12X-S-FH

Weidmüller Interface GmbH & Co. KG

Klingenbergstraße 26

D-32758 Detmold

Germany

www.weidmueller.com



M12 X-type Cat 6 A field-assembled connectors and PCB sockets

General ordering data

Version	Plug-in connector, M12, IDC, Cat.6A / Class EA (ISO/IEC 11801 2010), IP67 plugged
Order No.	1516340000
Type	IE-BS-M12X-S-FH
GTIN (EAN)	4050118323795
Qty.	1 items

IE-BS-M12X-S-FH

Weidmüller Interface GmbH & Co. KG

Klingenbergstraße 26

D-32758 Detmold

Germany

www.weidmueller.com

Technical data

Approvals

Approvals



ROHS Conform

UL File Number Search [UL Website](#)

Certificate no. (cULus) E316369

Dimensions and weights

Diameter	16.8 mm	Wall thickness, min.	0.9 mm
Wall thickness, max.	4 mm	Net weight	28 g

Temperatures

Storage temperature	Operating temperature	-40 °C...85 °C
Installation temperature		

Environmental Product Compliance

RoHS Compliance Status	Compliant
REACH SVHC	Lead 7439-92-1
SCIP	67cf1078-beca-4687-860b-dc475a6ec24a

Technical data customisable plug-in connectors

Number of poles	8	Coding	X-coded
Contact surface	Gold-plated	LED	No
Type of connection	Insulation displacement connection	Housing main material	Zinc diecast
Insulation resistance	100 MΩ	Cable diameter, max.	9.7 mm
Cable diameter, min.	5 mm	Category	Cat.6A / Class EA (ISO/IEC 11801 2010)
Contact material	CuZn	Conductor cross-section, max.	0.34 mm ²
Conductor cross-section, min.	0.14 mm ²	Nominal voltage	48 V
Nominal current	0.5 A	Protection degree	IP67 plugged
Plugging cycles	≥ 100	Pollution severity	2
Shield connection	Yes, screwed	Threaded ring material	Zinc diecast, tin plated

General Info

Number of poles	8	Connection 1	M12
Connection 2	IDC	UL 94 flammability rating	V-0
Housing main material	Zinc diecast	Insulation cross-section, max.	1.6 mm
Category	Cat.6A / Class EA (ISO/IEC 11801 2010)	Connection thread	M12
Contact material	CuZn	Contact surface	Gold-plated
Wire connection diameter, solid, min.	0.4 mm	Connection diameter, solid	0.4...0.64 mm
Wire connection diameter, solid, max.	0.64 mm	Conductor connection cross-section, solid (AWG)	AWG 24...AWG 22
Wire cross-section, solid, min. (AWG)	AWG 24	Connection diameter, flexible	0.48...0.76 mm
Wire cross-section, solid, max. (AWG)	AWG 22	Conductor connection cross-section, flexible (AWG)	AWG 26...AWG 22
Wire connection diameter, flexible, min.	0.48 mm	Wire connection diameter, flexible, max.	0.76 mm

IE-BS-M12X-S-FH

Weidmüller Interface GmbH & Co. KG
 Klingenbergstraße 26
 D-32758 Detmold
 Germany

www.weidmueller.com

Technical data

Wire connection cross section, finely stranded, max.	0.32 mm ²	Wire cross-section, solid, min.	0.34 mm ²
Wire cross-section, solid, max.	0.32 mm ²	Conductor connection cross-section, flexible	...0.32 mm ²
Wire cross-section, finely stranded, min. (AWG)	AWG 26	Wire cross-section, finely stranded, max. (AWG)	AWG 22
Sheath diameter, min.	5 mm	Sheath diameter, max.	9.7 mm
Contact holder materials	PA	Shielding	360° all-round enclosure
Protection degree	IP67 plugged	Plugging cycles	≥ 100

Electrical properties

Insulation resistance	100 MΩ	Nominal voltage	48 V
PoE / PoE+	conforming to IEEE 802.3at		

General standards

Connector standard	IEC 61076-2-109	Certificate no. (cULus)	E316369
--------------------	-----------------	-------------------------	---------

Standards

Connector standard	IEC 61076-2-109
--------------------	-----------------

Classifications

ETIM 8.0	EC002635	ETIM 9.0	EC002635
ETIM 10.0	EC002635	ECLASS 14.0	27-44-01-16
ECLASS 15.0	27-44-01-16		

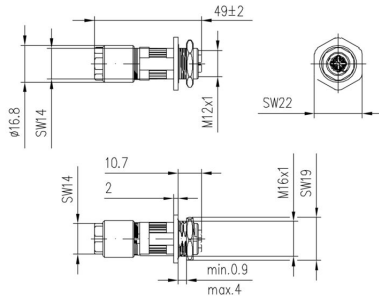
IE-BS-M12X-S-FH

Weidmüller Interface GmbH & Co. KG
Klingenbergstraße 26
D-32758 Detmold
Germany

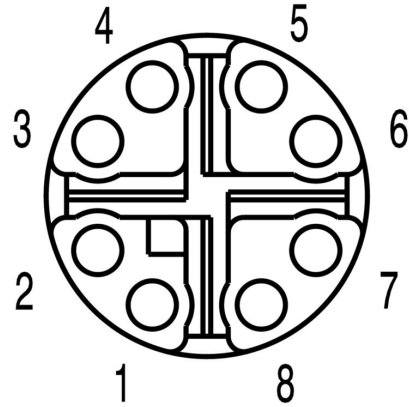
www.weidmueller.com

Drawings

Dimensioned drawing



Pole scheme



Installation cut-out

t= min. 0.9 / max. 4

