

## IE-AD-M12DRJ45-MF-180

**Weidmüller Interface GmbH & Co. KG**  
Klingenbergstraße 26  
D-32758 Detmold  
Germany

[www.weidmueller.com](http://www.weidmueller.com)



### General ordering data

Version	Adapter, straight, RJ45 180°, M12, Cat.5 (ISO/IEC 11801), IP67
Order No.	<a href="#">1514970000</a>
Type	IE-AD-M12DRJ45-MF-180
GTIN (EAN)	4050118321968
Qty.	1 items

## IE-AD-M12DRJ45-MF-180

**Weidmüller Interface GmbH & Co. KG**  
 Klingenbergstraße 26  
 D-32758 Detmold  
 Germany

www.weidmueller.com

## Technical data

### Approvals

Approvals



ROHS	Conform
UL File Number Search	<a href="#">UL Website</a>
Certificate no. (cULus)	E471884

### Dimensions and weights

Net weight	37 g
------------	------

### Temperatures

Storage temperature	-40 °C...80 °C	Operating temperature	-25 °C...80 °C
Installation temperature			

### Environmental Product Compliance

RoHS Compliance Status	Compliant with exemption
RoHS Exemption (if applicable/known)	6c
REACH SVHC	Lead 7439-92-1
SCIP	d1193a9e-dc7c-484a-ba48-176711eb392b

### Technical data customisable plug-in connectors

Number of poles	4	Coding	D-coded
Contact surface	Gold-plated	Housing main material	PA 66
Category	Cat.5 (ISO/IEC 11801)	Protection degree	IP67

### General Info

Number of poles	4	Connection 1	RJ45 180°
Connection 2	M12	Description of article	Adapter, straight
Composition	M12 pin on RJ45 socket	Housing main material	PA 66
Category	Cat.5 (ISO/IEC 11801)	Connection thread	M12
Contact surface	Gold-plated	Shielding	Yes
Protection degree	IP67		

### Electrical properties

Contact resistance	≤ 10 mΩ	Current-carrying capacity at 50 °C	1 A
--------------------	---------	------------------------------------	-----

### Standards

Connector standard	IEC 60603-7-5, IEC 61076-2-101
--------------------	--------------------------------

### General technical specifications

Number of poles	4	Coding	D-coded
Connection thread	M12	Contact surface	Gold-plated
Version	straight	Housing main material	PA 66
Protection degree	IP67		

## IE-AD-M12DRJ45-MF-180

**Weidmüller Interface GmbH & Co. KG**  
Klingenbergstraße 26  
D-32758 Detmold  
Germany

[www.weidmueller.com](http://www.weidmueller.com)

## Technical data

### Classifications

ETIM 8.0	EC000313	ETIM 9.0	EC000313
ETIM 10.0	EC000313	ECLASS 14.0	27-44-03-20
ECLASS 15.0	27-44-03-20		

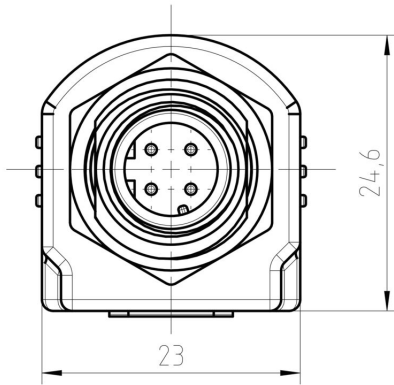
IE-AD-M12DRJ45-MF-180

Weidmüller Interface GmbH & Co. KG  
Klingenbergstraße 26  
D-32758 Detmold  
Germany

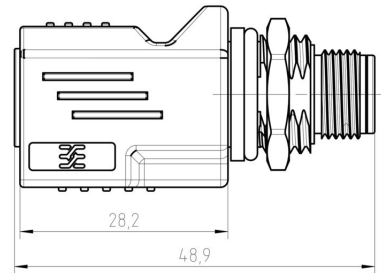
[www.weidmueller.com](http://www.weidmueller.com)

Drawings

Dimensioned drawing



Dimensioned drawing



Installation cut-out

