

IE-AD-M12DRJ45-MF-90

Weidmüller Interface GmbH & Co. KG
Klingenbergstraße 26
D-32758 Detmold
Germany

www.weidmueller.com



General ordering data

Version	Adapter, angled, RJ45 90°, M12, Cat.5 (ISO/IEC 11801), IP67
Order No.	1514940000
Type	IE-AD-M12DRJ45-MF-90
GTIN (EAN)	4050118322309
Qty.	1 items

IE-AD-M12DRJ45-MF-90

Weidmüller Interface GmbH & Co. KG
 Klingenbergstraße 26
 D-32758 Detmold
 Germany

www.weidmueller.com

Technical data

Approvals

Approvals



ROHS Conform

UL File Number Search [UL Website](#)

Certificate no. (cULus) E471884

Dimensions and weights

Net weight 35 g

Temperatures

Storage temperature -40 °C...80 °C

Operating temperature -25 °C...80 °C

Installation temperature

Environmental Product Compliance

RoHS Compliance Status Compliant

REACH SVHC Lead 7439-92-1

SCIP d1193a9e-dc7c-484a-ba48-176711eb392b

Technical data customisable plug-in connectors

Number of poles 4 Coding D-coded

Contact surface Gold-plated Housing main material PA 66

Category Cat.5 (ISO/IEC 11801) Protection degree IP67

General Info

Number of poles 4 Connection 1 RJ45 90°

Connection 2 M12 Description of article Adapter, angled

Composition M12 pin on RJ45 socket Housing main material PA 66

Category Cat.5 (ISO/IEC 11801) Connection thread M12

Contact surface Gold-plated Shielding Yes

Protection degree IP67

Electrical properties

Contact resistance $\leq 10 \text{ m}\Omega$ Current-carrying capacity at 50 °C 1 A

Standards

Connector standard IEC 60603-7-5, IEC 61076-2-101

General technical specifications

Number of poles 4 Coding D-coded

Connection thread M12 Contact surface Gold-plated

Version angled Housing main material PA 66

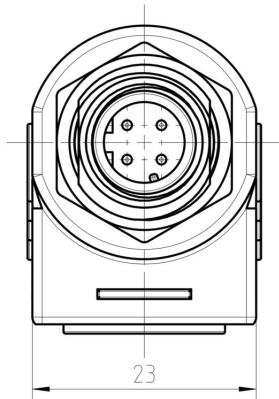
Protection degree IP67

Technical data

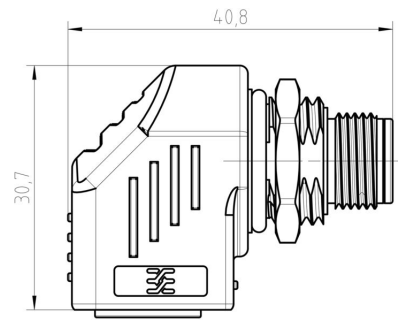
Classifications

ETIM 8.0	EC000313	ETIM 9.0	EC000313
ETIM 10.0	EC000313	ECLASS 14.0	27-44-03-20
ECLASS 15.0	27-44-03-20		

Dimensioned drawing



Dimensioned drawing



Installation cut-out

