

## ACT20C-CMT-60-AO-RC-S

**Weidmüller Interface GmbH & Co. KG**  
 Klingenbergstraße 26  
 D-32758 Detmold  
 Germany

[www.weidmueller.com](http://www.weidmueller.com)

### Product image



The ACT20C series was especially developed for applications with continuous processes. It enables the continuous monitoring of diagnostic, device and process information ("condition monitoring").

Several ACT20C components form a station which consists of an ACT20C Ethernet gateway, communicative ACT20C signal converters and an ACT20C bus termination terminal.

### General ordering data

Version	Current-measuring transducer, Input : 0... 40/50/60 A, Output : 0(4)-20 mA, 0-10 V, Relay
Order No.	<a href="#">1510420000</a>
Type	ACT20C-CMT-60-AO-RC-S
GTIN (EAN)	4050118319613
Qty.	1 items

## ACT20C-CMT-60-AO-RC-S

**Weidmüller Interface GmbH & Co. KG**  
 Klingenbergstraße 26  
 D-32758 Detmold  
 Germany

www.weidmueller.com

## Technical data

### Approvals

Approvals



ROHS Conform

UL File Number Search [UL Website](#)

Certificate no. (cULus) E141197

### Dimensions and weights

Depth	113.6 mm	Depth (inches)	4.4724 inch
Height	117.2 mm	Height (inches)	4.6142 inch
Width	22.5 mm	Width (inches)	0.8858 inch
Net weight	154 g		

### Temperatures

Storage temperature	-40 °C...85 °C	Operating temperature	-25 °C...60 °C
Humidity	5...95 %, no condensation		

### Probability of failure

SIL in compliance with IEC 61508	None	MTTF	130 a
----------------------------------	------	------	-------

### Environmental Product Compliance

RoHS Compliance Status	Compliant with exemption
RoHS Exemption (if applicable/known)	7a, 7cl
REACH SVHC	Lead 7439-92-1
SCIP	2f6dd957-421a-46db-a0c2-cf1609156924

### Input

Input frequency	AC: 15...700 Hz	Input measurement range	configurable, 0... 40/50/60 A AC (RMS) or DC
Input signal	Current-carrying cable in feed-through hole, Diameter 10.5 mm		

### Interface 1

Interface	Communication via CH20M rail bus with gateway (ACT20C- GTW-100-MTCP-S)
-----------	---

### Output

Load impedance current	≤ 600 Ω
------------------------	---------

### Output (digital)

Rated switching current	6 A	Max. switching voltage, AC	250 V
Type	Relay, 1 CO contact, Process alarms (4x) with		

## ACT20C-CMT-60-AO-RC-S

Weidmüller Interface GmbH &amp; Co. KG

Klingenbergstraße 26

D-32758 Detmold

Germany

www.weidmueller.com

## Technical data

hysteresis, with alarm  
delay (configurable) 0...  
180 s

## Output (analogue)

Type (analogue output)	Voltage and current output (configurable)	Output voltage	Adjustable, 0...10 V, 2...10 V, 0...5 V, 1...5 V, -5...+5 V, -10...+10 V
Load resistance voltage	≥ 10 kΩ	Load resistance current	≤ 600 Ω
Output current	Adjustable, 0...20 mA, 4...20 mA, -20...+20 mA		

## alarm output

Switching current	5 A		
-------------------	-----	--	--

## General data

Accuracy	<0.75 % FSR, <1.5 % FSR with measurement range 50/60 A AC	Supply voltage	via the system bus
Step response time	<300 ms	Mounting rail	TS 35
Temperature coefficient	typ. 0.04 % / K, max. 0.09 % / K	Nominal power consumption	3 VA
Configuration	With FDT/DTM software, via gateway (ACT20C-GTW-100-MTCP-S), Addressing via DIP switches	Power consumption, max.	2.2 W

## Insulation coordination

Impulse withstand voltage	6.4 kV (1.2/50 μs)	EMC standards	IEC 61326-1
Test voltage	4 kV	Surge voltage category	III
Pollution severity	2	Galvanic isolation	4-way isolator, between input / output / supply / relay
Rated voltage	300 V ACrms		

## Connection data

Type of connection	Screw connection	Tightening torque, min.	0.5 Nm
Tightening torque, max.	3.5 Nm	Clamping range, rated connection	1.5 mm <sup>2</sup>
Clamping range, min.	0.5 mm <sup>2</sup>	Clamping range, max.	2.5 mm <sup>2</sup>
Wire connection cross section AWG, min.	AWG 30	Wire connection cross section AWG, max.	AWG 14
Wire cross-section, solid, min.	0.5 mm <sup>2</sup>	Wire cross-section, solid, max.	2.5 mm <sup>2</sup>

## Part description

Product description	<p>The ACT20C-CMT-XX-AO-RC-S current measuring transducers from the ACT20C series measure and monitor DC and AC currents of up to 60 A. The True RMS method used allows for precise measurement, even in case of distorted current waveforms. The devices feature integrated limit value monitoring with an adjustable switching threshold, delay and hysteresis, as well as a relay output.</p> <p>Properties</p> <ul style="list-style-type: none"> <li>• True RMS value measurement or arithmetic averaging (AA) measurement and contactless through-hole technology</li> <li>• Limit value monitoring for overcurrent or undercurrent</li> <li>• Relay output by means of the open-circuit / closed-circuit principle</li> <li>• Infinitely variable trigger delay</li> </ul>
---------------------	---

## ACT20C-CMT-60-AO-RC-S

**Weidmüller Interface GmbH & Co. KG**  
Klingenbergstraße 26  
D-32758 Detmold  
Germany

[www.weidmueller.com](http://www.weidmueller.com)

## Technical data

- Operational status and error display on a front panel LED and output signalling according to NE43, NE44, NE107
- Galvanic four-way insulation for secure isolation according to IEC/EN 61010-2-201:2013

### Classifications

ETIM 8.0	EC002475	ETIM 9.0	EC002475
ETIM 10.0	EC002475	ECLASS 14.0	27-21-01-23
ECLASS 15.0	27-21-01-23		

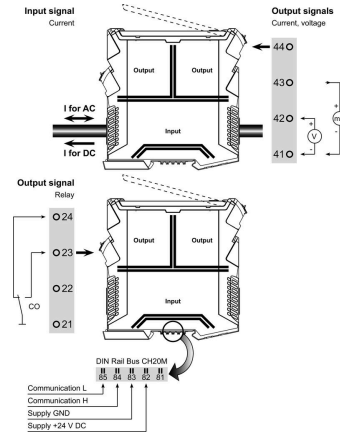
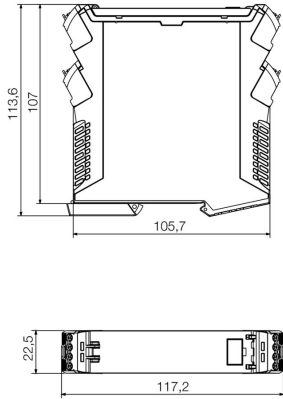
**ACT20C-CMT-60-AO-RC-S**

**Weidmüller Interface GmbH & Co. KG**  
 Klingenbergstraße 26  
 D-32758 Detmold  
 Germany

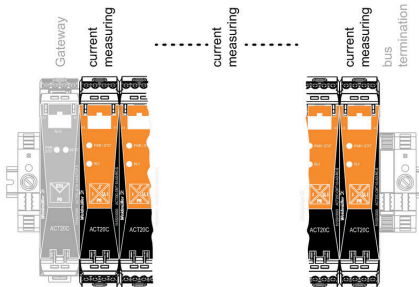
Drawings

www.weidmueller.com

Dimensioned drawing



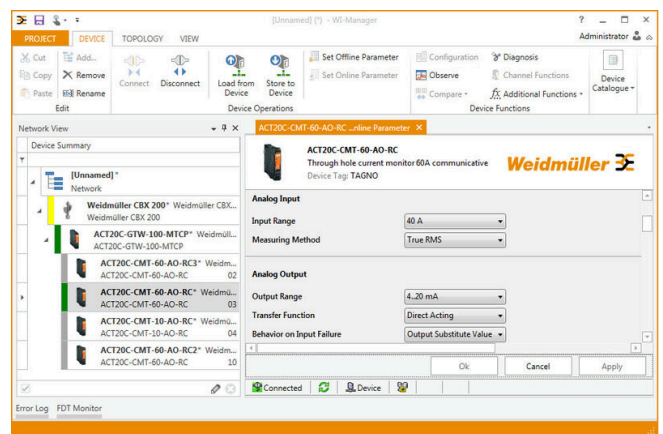
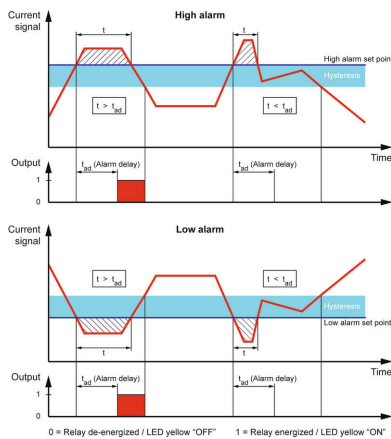
ACT20C-CMT-60-AO-RC-S is part of the ACT20C- Station



Configuration

User address	DIP switch S1					
	1	2	3	4	5	6
2		■				
3	■					
4			■			
5		■	■			
6				■		
7	■	■	■			
8					■	
...						
16						■
...						
32						■
33	■					

■ = ON



## ACT20C-CMT-60-AO-RC-S

**Weidmüller Interface GmbH & Co. KG**  
 Klingenbergstraße 26  
 D-32758 Detmold  
 Germany

## Accessories

www.weidmueller.com

### ACT20 (incl. DIN rail bus & powersupplies)



Power supply adapter modules for separate supply and distribution of the supply voltage: for the ACT20 series/ MICROSERIES signal converters.

The 22.5/6.1 mm wide power-feed modules are mounted directly adjacent to the analogue signal converters. Then the 24 VDC supply voltage is optionally bridged via the CH20M (ACT20-series) rail bus or simply bridged over using the pluggable ZQV 4N (MICROSERIES) cross-connectors.

The ACT20-Feed-In-PRO-S can also detect faults coming from any of the devices mounted on the CH20 bus mounting profile.

In the event of an error or fault, the integrated status relay sends a common alarm to the external controller. In addition, two power supply units (as primary and backup supply) can be connected to the ACT20 Feed-In PRO-S. Two feed-in modules mounted to the CH20 bus mounting profile guarantee a 100% redundant power supply. Three LEDs are used to show the status of the power supply and error messages.

The ACT20M-Feed-In PRO can also be used in Ex zone2 / Division2 applications.

### General ordering data

Type	SAMPLE CH20M BUS 250MM	Version	
	...		
Order No.	<a href="#">1335140000</a>	Mounting rail bus system, Sample set, OMNIMATE Housing - series	
GTIN (EAN)	4050118138375	CH20M, Width: 25.1 mm	
Qty.	1 ST		

## ACT20C-CMT-60-AO-RC-S

**Weidmüller Interface GmbH & Co. KG**  
 Klingenbergstraße 26  
 D-32758 Detmold  
 Germany

www.weidmueller.com

## Accessories

## CH20M BUS SET - Kit



The integrated rail bus for the modular electronics housing system

When supplying, connecting or distributing within modular applications, the rail bus can replace the tedious individual wiring process with a flexible and uninterrupted system-wide solution.

The system bus is securely integrated within the 35-mm standard mounting rail. The SMD-bus contact block can be reflow-soldered so that it can be completely automatically processed during the component assembly. The resistant, gold-plated contact surfaces ensure a permanent and reliable contact for all housing widths.

- **Unlimited scalability** The integrated connection solution covers all system widths: from the 6-mm slice to the 67-mm large-area housing.
- **Easy to service during installation** It's easy to replace a module, even in existing modules groups – without any influence on the neighbouring modules.
- **Universal integration** The uninterrupted system bus is securely integrated within the 35-mm standard mounting rail.
- **Maximum availability** Five fully-galvanized and partially gold-plated twin-arched contacts are used to establish a permanent contact to the rail bus. THR solder flanges ensure that the connection to the circuit board is stable.

## General ordering data

Type	SAMPLE CH20M BUS 250MM	Version
	...	
Order No.	<a href="#">1335150000</a>	Mounting rail bus system, Sample set, OMNIMATE Housing - series
GTIN (EAN)	4050118138382	CH20M, Width: 25.1 mm
Qty.	1 ST	

## Network-compatible current measuring transducers ACT20C



The ACT20C series was especially developed for applications with continuous processes. It enables the continuous monitoring of diagnostic, device and process information ("condition monitoring"). Several ACT20C components form a station which consists of an ACT20C Ethernet gateway, communicative ACT20C signal converters and an ACT20C bus termination terminal.

## General ordering data

Type	ACT20C-LBT-10	Version
Order No.	<a href="#">1510340000</a>	Bus termination terminal for ACT20C station, Input : 0...40/50/60 A,
GTIN (EAN)	4050118319491	Output : Pulse
Qty.	1 ST	

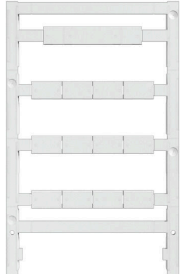
## ACT20C-CMT-60-AO-RC-S

**Weidmüller Interface GmbH & Co. KG**  
 Klingenbergstraße 26  
 D-32758 Detmold  
 Germany

## Accessories

www.weidmueller.com

## Blank



ESG is the tried-and-tested marker in MultiCard format for use on many well-known electrical devices. The result is high-quality device marking with a high-contrast appearance.

Various types are available for devices from manufacturers like Siemens, ABB, Beckhoff etc.

Advantages at a glance:

- Tags for universal usage, self-adhesive or clip-on tags, depending on type
- For aligned equipment, e.g. circuit breakers, we supply ESG markers for clipping onto tag rails
- Individual laser-quality printing according to specifications

For custom printing: Please send us a file of our labeling software M-Print PRO or M-Print PRO Online (without installation) for your labeling specifications.

## General ordering data

Type	ESG 8/13.5/43.3 SAI AU	Version	
Order No.	<a href="#">1912130000</a>	ESG, Device markers x 13.5 mm, PA 66, Colour: Transparent, pluggable	
GTIN (EAN)	4032248541164		
Qty.	5 ST		
Type	ESG 6.6/20 BHZ 5.00/04	Version	
Order No.	<a href="#">1082540000</a>	ESG, Device markers x 20 mm, PA 66, Colour: white, pluggable	
GTIN (EAN)	4032248845439		
Qty.	200 ST		