

**ACT20P-CI-CO-P-S**

**Weidmüller Interface GmbH & Co. KG**  
 Klingenbergstraße 26  
 D-32758 Detmold  
 Germany

www.weidmueller.com

**Product image**



ACT20P: The flexible solution

- Precise and highly functional signal converters
- Release levers simplify handling

**General ordering data**

Version	Analogue isolating amplifier, Input : 0(4)-20 mA, Output : 0(4)-20 mA, Voltage supply also via CH20M rail bus, HART®
Order No.	<a href="#">1506200000</a>
Type	ACT20P-CI-CO-P-S
GTIN (EAN)	4050118314717
Qty.	1 items

Technical data

Approvals

Approvals



ROHS	Conform
UL File Number Search	<a href="#">UL Website</a>
Certificate no. (cULus)	E469563
Certificate no. (cULusEX)	E338066

Dimensions and weights

Depth	113.7 mm	Depth (inches)	4.4764 inch
Height	119.2 mm	Height (inches)	4.6929 inch
Width	12.5 mm	Width (inches)	0.4921 inch
Net weight	145 g		

Temperatures

Storage temperature	-40 °C...85 °C	Operating temperature	-20 °C...60 °C
Humidity at operating temperature	0...95 % (no condensation)	Humidity	5...95 %, no condensation

Probability of failure

SIL in compliance with IEC 61508	None
----------------------------------	------

Environmental Product Compliance

RoHS Compliance Status	Compliant with exemption
RoHS Exemption (if applicable/known)	7a, 7cI
REACH SVHC	Lead 7439-92-1
SCIP	2f6dd957-421a-46db-a0c2-cf1609156924

Input

Sensor	2-wire transmitter (without own power supply), 3-wire sensor, 4-wire sensor (with own power supply)	Number inputs	1
Sensor supply	> 17 V DC at 20 mA	Input signal	current source, HART® signal bidirectional
Input current	0...20 mA, 4...20mA	Voltage drop	≤ 1 V

Output

Number of outputs	1	Load impedance current	≤ 550 Ω
Type	active, connected control must be passive	Output current	0...20 mA (if input: 0...20 mA), 4...20 mA (if input: 4...20 mA), HART® digital signal

General data

Accuracy	<0.1 % of end value	Protection degree	IP20
Supply voltage	20...30 V at terminal or via CH20M rail bus	Step response time	≤ 0,5 ms

## ACT20P-CI-CO-P-S

**Weidmüller Interface GmbH & Co. KG**

Klingenbergstraße 26  
D-32758 Detmold  
Germany

www.weidmueller.com

## Technical data

Current consumption	≤60 mA (24V power supply, 20mA output)	Mounting rail	TS 35
Temperature coefficient	80 ppm/K	Type of signal forwarding according to HART®	unchanged
Nominal power consumption	2 VA	Configuration	none
Operating altitude	≤ 2000 m		

### Insulation coordination

Impulse withstand voltage	4 kV (1.2/50 µs)	EMC standards	EN 61326-1, EN 61000-6-2, EN 61000-6-4
Test voltage	0.3 kV	Pollution severity	2
Galvanic isolation	3-way isolator, between input/output/supply	Insulation voltage	2 kV inputs / outputs / power supply

### Data for Ex applications (ATEX)

Marking	II 3 G Ex ec IIC T5 Gc	IECEx - gas labelling	Ex ec IIC T5 Gc
---------	------------------------	-----------------------	-----------------

### Connection data

Type of connection	Screw connection	Tightening torque, min.	0.4 Nm
Tightening torque, max.	0.6 Nm	Clamping range, rated connection	2.5 mm <sup>2</sup>
Clamping range, min.	0.5 mm <sup>2</sup>	Clamping range, max.	2.5 mm <sup>2</sup>
Wire connection cross section AWG, min.	AWG 26	Wire connection cross section AWG, max.	AWG 12

### Part description

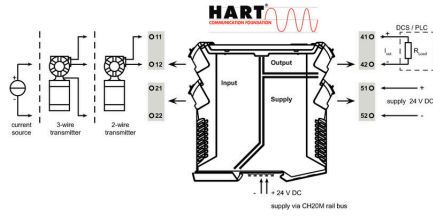
Product description	<p>The non-adjustable DC isolating amplifier ACT20P-CI-CO isolates analogue standard current signals from a power source or from a 2- or 3-wire sensor. An analogue input current signal is linearly converted into an analogue output current signal and is galvanically isolated. The power supply is galvanically isolated from the input and output (3-way isolation).</p> <p>Properties</p> <ul style="list-style-type: none"> <li>• HART-compatible for 0.5 - 2.5 kHz</li> <li>• The active or passive mA signal inputs are fully galvanically isolated.</li> <li>• Operating status display on a front panel LED</li> <li>• Galvanic 3-way isolation between input, output and supply.</li> </ul>
---------------------	--

### Classifications

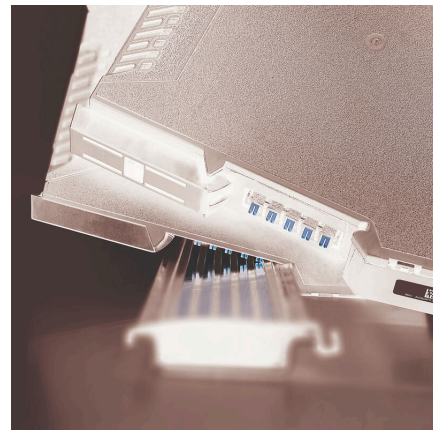
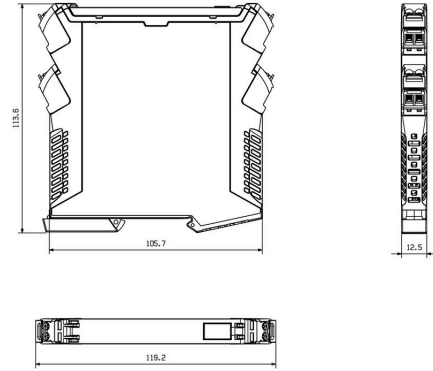
ETIM 8.0	EC002653	ETIM 9.0	EC002653
ETIM 10.0	EC002653	ECLASS 14.0	27-21-01-20
ECLASS 15.0	27-21-01-20		

**Drawings**

**Connection diagram**



**Dimensioned drawing**



Additional power supply option via bus