

KWN-M4/-1,5 90**Weidmüller Interface GmbH & Co. KG**

Klingenbergstraße 26

D-32758 Detmold

Germany

www.weidmueller.com



The use of insulated connectors guarantees users consistent electrical connection quality in the long term.

- Wide range of insulated and non-insulated cable lugs and connectors
- Tubular cable lugs according to current market standards (Euroseries)
- Compression cable lugs acc. to DIN 46235
- Sheet metal cable lugs acc. to DIN 46234
- Insulated ring cable lugs to DIN 46237
- Insulated pin cable lugs to DIN 46231

General ordering data

Version	cable lug, terminal end, 1.5 mm ² , 1 mm ² - 1.5 mm ²
Order No.	1495220000
Type	KWN-M4/-1,5 90
GTIN (EAN)	4050118304572
Qty.	100 items

KWN-M4/-1,5 90

Weidmüller Interface GmbH & Co. KG
 Klingenbergstraße 26
 D-32758 Detmold
 Germany

www.weidmueller.com

Technical data

Approvals

ROHS	Conform
------	---------

Dimensions and weights

Net weight	1.6 g
------------	-------

Environmental Product Compliance

RoHS Compliance Status	Compliant without exemption
REACH SVHC	No SVHC above 0.1 wt%

Technical data

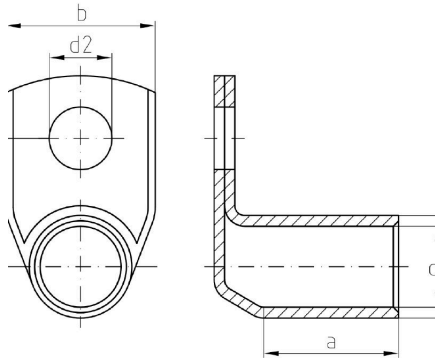
Version	Euro series 90°
---------	-----------------

Connectors

Conductor cross-section, max.	1.5 mm ²	Conductor cross-section, min.	1 mm ²
Conductor cross-section	1.5 mm ²	Insulation	not available
Hole	M 4	Identification colour	None
Inside diameter of shaft (d1)	1.9 mm	Outside diameter of shaft (d3)	3.9 mm
Shaft length (a)	5 mm	Connection length (l)	9 mm
Inside diameter of flange (d2)	4.3 mm	Flange width (b)	8.5 mm

Classifications

ETIM 6.0	EC001051	ETIM 7.0	EC001051
ETIM 8.0	EC001051	ETIM 9.0	EC001051
ETIM 10.0	EC001051	ECLASS 9.0	27-40-02-05
ECLASS 9.1	27-40-02-05	ECLASS 10.0	27-40-02-05
ECLASS 11.0	27-40-02-05	ECLASS 12.0	27-40-02-05
ECLASS 13.0	27-40-02-05	ECLASS 14.0	27-40-02-05
ECLASS 15.0	27-40-02-05		



KWN-M4/-1,5 90

Weidmüller Interface GmbH & Co. KG
Klingenbergstraße 26
D-32758 Detmold
Germany

www.weidmueller.com

Accessories

Crimping tools



Crimping tools for non-insulated connectors
Rolled cable lugs, tubular cable lugs, terminal pins,
parallel and serial connectors

- Ratchet guarantees precise crimping
- Release option in the event of incorrect operation

General ordering data

Type	HTN 21	Version	
Order No.	9014610000	Pressing tool, Crimping tool for contacts, 0.5mm ² , 6mm ² , Indent	
GTIN (EAN)	4008190152734	crimp	
Qty.	1 ST		