

KSN/-16**Weidmüller Interface GmbH & Co. KG**

Klingenbergstraße 26

D-32758 Detmold

Germany

www.weidmueller.com



The use of insulated connectors guarantees users consistent electrical connection quality in the long term.

- Wide range of insulated and non-insulated cable lugs and connectors
- Tubular cable lugs according to current market standards (Euroseries)
- Compression cable lugs acc. to DIN 46235
- Sheet metal cable lugs acc. to DIN 46234
- Insulated ring cable lugs to DIN 46237
- Insulated pin cable lugs to DIN 46231

General ordering data

Version	cable lug, terminal end, 16 mm ² , 16 mm ²
Order No.	1492790000
Type	KSN/-16
GTIN (EAN)	4050118302745
Qty.	100 items
Delivery status	This article will no longer be available in the future.
Available until	2026-03-31T00:00:00+02:00

KSN/-16

Weidmüller Interface GmbH & Co. KG
 Klingenbergstraße 26
 D-32758 Detmold
 Germany

www.weidmueller.com

Technical data

Approvals

ROHS	Conform
------	---------

Dimensions and weights

Net weight	4.03 g
------------	--------

Environmental Product Compliance

RoHS Compliance Status	Compliant without exemption
REACH SVHC	No SVHC above 0.1 wt%

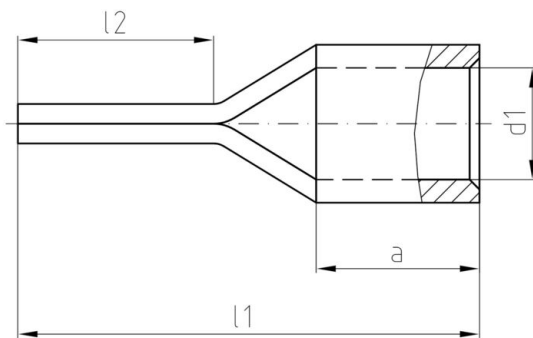
Connectors

Conductor cross-section, max.	16 mm ²	Conductor cross-section	16 mm ²
Insulation	not available	Dimensions pin/plug	2,5 x 5,6 mm
Length 1 (I1)	26 mm	Inside diameter of shaft (d1)	5.8 mm
Length 2 (I2)	13 mm	Shaft length (a)	10 mm

Classifications

ETIM 8.0	EC001059	ETIM 9.0	EC001059
ETIM 10.0	EC001059	ECLASS 14.0	27-40-02-92
ECLASS 15.0	27-40-02-92		

Drawings



KSN/-16

Weidmüller Interface GmbH & Co. KG

Klingenbergstraße 26

D-32758 Detmold

Germany

www.weidmueller.com

Accessories

Crimping tools



Crimping tools for non-insulated connectors
Rolled cable lugs, tubular cable lugs, terminal pins,
parallel and serial connectors

- Ratchet guarantees precise crimping
- Release option in the event of incorrect operation

General ordering data

Type	CTN 25 D4	Version
Order No.	9006220000	Pressing tool, Crimping tool for contacts, 10mm ² , 25mm ² , Indent
GTIN (EAN)	4008190198633	crimp
Qty.	1 ST	

Tools



Crimping tools for cable lugs, connectors and wire-end
ferrules with interchangeable inserts

- extremely fast processing thanks to hydraulic support
- large processing range up to 300 mm²
- 270° revolving quick-action crimping head
- automatic pressure limitation and monitoring via pressure sensor
- electronic control and monitoring of the crimping process
- Saving of all crimping cycles and error messages to internal memory
- Reading of all cycles and error messages via USB
- Li-ion rechargeable battery with charge status indicator: 18 V, 2 Ah

General ordering data

Type	EPG 45	Version
Order No.	1500830000	Pressing tool, 6mm ² , 150mm ² , Hexagonal crimp, WM crimp, Indent
GTIN (EAN)	4050118309317	crimp, Trapezoidal crimp, Oval crimping
Qty.	1 ST	

KSN/-16

Weidmüller Interface GmbH & Co. KG

Klingenbergstraße 26

D-32758 Detmold

Germany

Accessories

www.weidmueller.com

... for tubular cable lugs (acc. to EN 13600)



Crimping tools for cable lugs, connectors and wire-end ferrules with interchangeable inserts

- extremely fast processing thanks to hydraulic support
- large processing range up to 300 mm²
- 270° revolving quick-action crimping head
- automatic pressure limitation and monitoring via pressure sensor
- electronic control and monitoring of the crimping process
- Saving of all crimping cycles and error messages to internal memory
- Reading of all cycles and error messages via USB
- Li-ion rechargeable battery with charge status indicator: 18 V, 2 Ah

General ordering data

Type	ES EPG 45 WM 16/35	Version
Order No.	1500920000	35mm ² , WM crimp
GTIN (EAN)	4050118309478	
Qty.	1 ST	

... for compression cable lugs (acc. to DIN 46235)



Crimping tools for cable lugs, connectors and wire-end ferrules with interchangeable inserts

- extremely fast processing thanks to hydraulic support
- large processing range up to 300 mm²
- 270° revolving quick-action crimping head
- automatic pressure limitation and monitoring via pressure sensor
- electronic control and monitoring of the crimping process
- Saving of all crimping cycles and error messages to internal memory
- Reading of all cycles and error messages via USB
- Li-ion rechargeable battery with charge status indicator: 18 V, 2 Ah

General ordering data

Type	ES EPG 45 HEX 16/35	Version
Order No.	1500950000	35mm ² , Hexagonal crimp
GTIN (EAN)	4050118309492	
Qty.	1 ST	

KSN/-16

Weidmüller Interface GmbH & Co. KG

Klingenbergstraße 26

D-32758 Detmold

Germany

www.weidmueller.com

Accessories

Tools



Crimping tools for cable lugs, connectors and wire-end ferrules with interchangeable inserts

- extremely fast processing thanks to hydraulic support
- large processing range up to 300 mm²
- 270° revolving quick-action crimping head
- automatic pressure limitation and monitoring via pressure sensor
- electronic control and monitoring of the crimping process
- Saving of all crimping cycles and error messages to internal memory
- Reading of all cycles and error messages via USB
- Li-ion rechargeable battery with charge status indicator: 18 V, 2 Ah

General ordering data

Type	EPG 60	Version
Order No.	2453810000	Pressing tools, Tools, Pressing tool, 6mm ² , 300mm ² , Hexagonal
GTIN (EAN)	4050118468434	crimp, WM crimp, Indent crimp, Trapezoidal crimp, Oval crimping
Qty.	1 ST	

... for tubular cable lugs



Crimping tools for cable lugs, connectors and wire-end ferrules with interchangeable inserts

- extremely fast processing thanks to hydraulic support
- large processing range up to 300 mm²
- 270° revolving quick-action crimping head
- automatic pressure limitation and monitoring via pressure sensor
- electronic control and monitoring of the crimping process
- Saving of all crimping cycles and error messages to internal memory
- Reading of all cycles and error messages via USB
- Li-ion rechargeable battery with charge status indicator: 18 V, 2 Ah

General ordering data

Type	ES EPG/HPG 60 WM 16	Version
Order No.	2469550000	Crimping tool insert, 16mm ² , WM crimp
GTIN (EAN)	4050118483833	
Qty.	1 ST	

KSN/-16

Weidmüller Interface GmbH & Co. KG
 Klingenbergstraße 26
 D-32758 Detmold
 Germany

www.weidmueller.com

Accessories

... for compression cable lugs



Crimping tools for cable lugs, connectors and wire-end ferrules with interchangeable inserts

- extremely fast processing thanks to hydraulic support
- large processing range up to 300 mm²
- 270° revolving quick-action crimping head
- automatic pressure limitation and monitoring via pressure sensor
- electronic control and monitoring of the crimping process
- Saving of all crimping cycles and error messages to internal memory
- Reading of all cycles and error messages via USB
- Li-ion rechargeable battery with charge status indicator: 18 V, 2 Ah

General ordering data

Type	ES EPG/HPG 60 HEX 16	Version	
Order No.	2505170000	Version	Crimping tool insert, 16mm ² , Hexagonal crimp
GTIN (EAN)	4050118519549		
Qty.	1 ST		

Tools



Crimping tools for cable lugs, connectors and wire-end ferrules with interchangeable inserts

- extremely fast processing thanks to hydraulic support
- large processing range up to 400 mm²
- 360° revolving quick action crimping head
- automatic pressure limitation and monitoring via pressure sensor
- Additional features for APG series:
- electronic control and monitoring of the crimping process
- Saving of all crimping cycles and error messages to internal memory
- Reading of all cycles and error messages via USB

General ordering data

Type	HPG 60	Version	
Order No.	2453820000	Version	6mm ² , 300mm ² , Hexagonal crimp, WM crimp, Indent crimp,
GTIN (EAN)	4050118468427	Version	Trapezoidal crimp, Oval crimping
Qty.	1 ST		

KSN/-16

Weidmüller Interface GmbH & Co. KG

Klingenbergstraße 26

D-32758 Detmold

Germany

www.weidmueller.com

Accessories

... for tubular cable lugs (acc. to EN 13600)



Crimping tools for cable lugs, connectors and wire-end ferrules with interchangeable inserts

- extremely fast processing thanks to hydraulic support
- large processing range up to 400 mm²
- 360° revolving quick action crimping head
- automatic pressure limitation and monitoring via pressure sensor
- Additional features for APG series:
- electronic control and monitoring of the crimping process
- Saving of all crimping cycles and error messages to internal memory
- Reading of all cycles and error messages via USB

General ordering data

Type	ES APG 80 WM 16	Version	
Order No.	1502470000	Version	16mm ² , WM crimp
GTIN (EAN)	4050118310498		
Qty.	1 ST		

... for compression cable lugs (acc. to DIN 46235)



Crimping tools for cable lugs, connectors and wire-end ferrules with interchangeable inserts

- extremely fast processing thanks to hydraulic support
- large processing range up to 400 mm²
- 360° revolving quick action crimping head
- automatic pressure limitation and monitoring via pressure sensor
- Additional features for APG series:
- electronic control and monitoring of the crimping process
- Saving of all crimping cycles and error messages to internal memory
- Reading of all cycles and error messages via USB

General ordering data

Type	ES APG 80 HEX 16	Version	
Order No.	1502630000	Version	16mm ² , Hexagonal crimp
GTIN (EAN)	4050118310436		
Qty.	1 ST		