

## KSN/-10

**Weidmüller Interface GmbH & Co. KG**

Klingenbergstraße 26

D-32758 Detmold

Germany

[www.weidmueller.com](http://www.weidmueller.com)



The use of insulated connectors guarantees users consistent electrical connection quality in the long term.

- Wide range of insulated and non-insulated cable lugs and connectors
- Tubular cable lugs according to current market standards (Euroseries)
- Compression cable lugs acc. to DIN 46235
- Sheet metal cable lugs acc. to DIN 46234
- Insulated ring cable lugs to DIN 46237
- Insulated pin cable lugs to DIN 46231

### General ordering data

Version	cable lug, terminal end, 10 mm <sup>2</sup> , 10 mm <sup>2</sup>
Order No.	<a href="#">1492780000</a>
Type	KSN/-10
GTIN (EAN)	4050118302806
Qty.	100 items

## KSN/-10

**Weidmüller Interface GmbH & Co. KG**  
 Klingenbergstraße 26  
 D-32758 Detmold  
 Germany

[www.weidmueller.com](http://www.weidmueller.com)

## Technical data

### Approvals

ROHS	Conform
------	---------

### Dimensions and weights

Net weight	2.4 g
------------	-------

### Environmental Product Compliance

RoHS Compliance Status	Compliant without exemption
REACH SVHC	No SVHC above 0.1 wt%

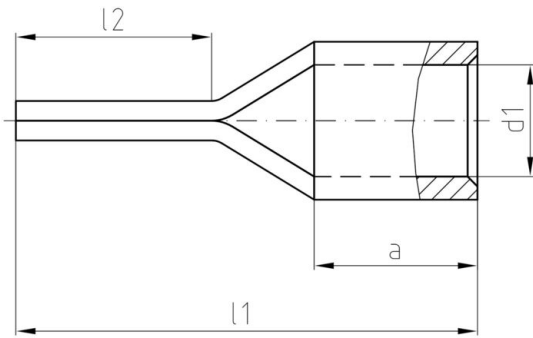
### Connectors

Conductor cross-section, max.	10 mm <sup>2</sup>	Conductor cross-section	10 mm <sup>2</sup>
Insulation	not available	Dimensions pin/plug	2,3 x 4,2 mm
Length 1 (I1)	22 mm	Inside diameter of shaft (d1)	4.5 mm
Length 2 (I2)	12 mm	Shaft length (a)	8 mm

### Classifications

ETIM 8.0	EC001059	ETIM 9.0	EC001059
ETIM 10.0	EC001059	ECLASS 14.0	27-40-02-92
ECLASS 15.0	27-40-02-92		

**Drawings**



## KSN/-10

**Weidmüller Interface GmbH & Co. KG**  
 Klingenbergstraße 26  
 D-32758 Detmold  
 Germany

www.weidmueller.com

## Accessories

### Crimping tools



Crimping tools for non-insulated connectors  
 Rolled cable lugs, tubular cable lugs, terminal pins,  
 parallel and serial connectors

- Ratchet guarantees precise crimping
- Release option in the event of incorrect operation

### General ordering data

Type	CTN 25 D4	Version	
Order No.	<a href="#">9006220000</a>	Pressing tool, Crimping tool for contacts, 10mm <sup>2</sup> , 25mm <sup>2</sup> , Indent	
GTIN (EAN)	4008190198633	crimp	
Qty.	1 ST		

### Tools



Crimping tools for cable lugs, connectors and wire-end  
 ferrules with interchangeable inserts

- extremely fast processing thanks to hydraulic support
- large processing range up to 300 mm<sup>2</sup>
- 270° revolving quick-action crimping head
- automatic pressure limitation and monitoring via pressure sensor
- electronic control and monitoring of the crimping process
- Saving of all crimping cycles and error messages to internal memory
- Reading of all cycles and error messages via USB
- Li-ion rechargeable battery with charge status indicator: 18 V, 2 Ah

### General ordering data

Type	EPG 45	Version	
Order No.	<a href="#">1500830000</a>	Pressing tool, 6mm <sup>2</sup> , 150mm <sup>2</sup> , Hexagonal crimp, WM crimp, Indent	
GTIN (EAN)	4050118309317	crimp, Trapezoidal crimp, Oval crimping	
Qty.	1 ST		

## KSN/-10

Weidmüller Interface GmbH &amp; Co. KG

Klingenbergstraße 26

D-32758 Detmold

Germany

## Accessories

www.weidmueller.com

## ... for tubular cable lugs (acc. to EN 13600)



Crimping tools for cable lugs, connectors and wire-end ferrules with interchangeable inserts

- extremely fast processing thanks to hydraulic support
- large processing range up to 300 mm<sup>2</sup>
- 270° revolving quick-action crimping head
- automatic pressure limitation and monitoring via pressure sensor
- electronic control and monitoring of the crimping process
- Saving of all crimping cycles and error messages to internal memory
- Reading of all cycles and error messages via USB
- Li-ion rechargeable battery with charge status indicator: 18 V, 2 Ah

## General ordering data

Type	ES EPG 45 WM 10/70	Version
Order No.	<a href="#">1500870000</a>	70mm <sup>2</sup> , WM crimp
GTIN (EAN)	4050118309256	
Qty.	1 ST	

## ... for compression cable lugs (acc. to DIN 46235)



Crimping tools for cable lugs, connectors and wire-end ferrules with interchangeable inserts

- extremely fast processing thanks to hydraulic support
- large processing range up to 300 mm<sup>2</sup>
- 270° revolving quick-action crimping head
- automatic pressure limitation and monitoring via pressure sensor
- electronic control and monitoring of the crimping process
- Saving of all crimping cycles and error messages to internal memory
- Reading of all cycles and error messages via USB
- Li-ion rechargeable battery with charge status indicator: 18 V, 2 Ah

## General ordering data

Type	ES EPG 45 HEX 10/70	Version
Order No.	<a href="#">1500940000</a>	70mm <sup>2</sup> , Hexagonal crimp
GTIN (EAN)	4050118309522	
Qty.	1 ST	

## KSN/-10

Weidmüller Interface GmbH &amp; Co. KG

Klingenbergstraße 26

D-32758 Detmold

Germany

www.weidmueller.com

## Accessories

## Tools



Crimping tools for cable lugs, connectors and wire-end ferrules with interchangeable inserts

- extremely fast processing thanks to hydraulic support
- large processing range up to 300 mm<sup>2</sup>
- 270° revolving quick-action crimping head
- automatic pressure limitation and monitoring via pressure sensor
- electronic control and monitoring of the crimping process
- Saving of all crimping cycles and error messages to internal memory
- Reading of all cycles and error messages via USB
- Li-ion rechargeable battery with charge status indicator: 18 V, 2 Ah

## General ordering data

Type	EPG 60	Version
Order No.	<a href="#">2453810000</a>	Pressing tools, Tools, Pressing tool, 6mm <sup>2</sup> , 300mm <sup>2</sup> , Hexagonal
GTIN (EAN)	4050118468434	crimp, WM crimp, Indent crimp, Trapezoidal crimp, Oval crimping
Qty.	1 ST	

## ... for tubular cable lugs



Crimping tools for cable lugs, connectors and wire-end ferrules with interchangeable inserts

- extremely fast processing thanks to hydraulic support
- large processing range up to 300 mm<sup>2</sup>
- 270° revolving quick-action crimping head
- automatic pressure limitation and monitoring via pressure sensor
- electronic control and monitoring of the crimping process
- Saving of all crimping cycles and error messages to internal memory
- Reading of all cycles and error messages via USB
- Li-ion rechargeable battery with charge status indicator: 18 V, 2 Ah

## General ordering data

Type	ES EPG/HPG 60 WM 10	Version
Order No.	<a href="#">2469540000</a>	Crimping tool insert, 10mm <sup>2</sup> , WM crimp
GTIN (EAN)	4050118483819	
Qty.	1 ST	

## KSN/-10

Weidmüller Interface GmbH &amp; Co. KG

Klingenbergstraße 26

D-32758 Detmold

Germany

www.weidmueller.com

## Accessories

## ... for compression cable lugs



Crimping tools for cable lugs, connectors and wire-end ferrules with interchangeable inserts

- extremely fast processing thanks to hydraulic support
- large processing range up to 300 mm<sup>2</sup>
- 270° revolving quick-action crimping head
- automatic pressure limitation and monitoring via pressure sensor
- electronic control and monitoring of the crimping process
- Saving of all crimping cycles and error messages to internal memory
- Reading of all cycles and error messages via USB
- Li-ion rechargeable battery with charge status indicator: 18 V, 2 Ah

## General ordering data

Type	ES EPG/HPG 60 HEX 10	Version	
Order No.	<a href="#">2505160000</a>	Version	Crimping tool insert, 10mm <sup>2</sup> , Hexagonal crimp
GTIN (EAN)	4050118519556		
Qty.	1 ST		

## Tools



Crimping tools for cable lugs, connectors and wire-end ferrules with interchangeable inserts

- extremely fast processing thanks to hydraulic support
- large processing range up to 400 mm<sup>2</sup>
- 360° revolving quick action crimping head
- automatic pressure limitation and monitoring via pressure sensor
- Additional features for APG series:
- electronic control and monitoring of the crimping process
- Saving of all crimping cycles and error messages to internal memory
- Reading of all cycles and error messages via USB

## General ordering data

Type	HPG 60	Version	
Order No.	<a href="#">2453820000</a>	Version	6mm <sup>2</sup> , 300mm <sup>2</sup> , Hexagonal crimp, WM crimp, Indent crimp,
GTIN (EAN)	4050118468427	Version	Trapezoidal crimp, Oval crimping
Qty.	1 ST		

## KSN/-10

Weidmüller Interface GmbH &amp; Co. KG

Klingenbergstraße 26

D-32758 Detmold

Germany

www.weidmueller.com

## Accessories

## ... for tubular cable lugs (acc. to EN 13600)



Crimping tools for cable lugs, connectors and wire-end ferrules with interchangeable inserts

- extremely fast processing thanks to hydraulic support
- large processing range up to 400 mm<sup>2</sup>
- 360° revolving quick action crimping head
- automatic pressure limitation and monitoring via pressure sensor
- Additional features for APG series:
- electronic control and monitoring of the crimping process
- Saving of all crimping cycles and error messages to internal memory
- Reading of all cycles and error messages via USB

## General ordering data

Type	ES APG 80 WM10	Version	
Order No.	<a href="#">1502440000</a>	10mm <sup>2</sup> , WM crimp	
GTIN (EAN)	4050118310542		
Qty.	1 ST		

## ... for compression cable lugs (acc. to DIN 46235)



Crimping tools for cable lugs, connectors and wire-end ferrules with interchangeable inserts

- extremely fast processing thanks to hydraulic support
- large processing range up to 400 mm<sup>2</sup>
- 360° revolving quick action crimping head
- automatic pressure limitation and monitoring via pressure sensor
- Additional features for APG series:
- electronic control and monitoring of the crimping process
- Saving of all crimping cycles and error messages to internal memory
- Reading of all cycles and error messages via USB

## General ordering data

Type	ES APG 80 HEX 10	Version	
Order No.	<a href="#">1502620000</a>	10mm <sup>2</sup> , Hexagonal crimp	
GTIN (EAN)	4050118310818		
Qty.	1 ST		