

**KSN/-6,0****Weidmüller Interface GmbH & Co. KG**

Klingenbergstraße 26

D-32758 Detmold

Germany

www.weidmueller.com



The use of insulated connectors guarantees users consistent electrical connection quality in the long term.

- Wide range of insulated and non-insulated cable lugs and connectors
- Tubular cable lugs according to current market standards (Euroseries)
- Compression cable lugs acc. to DIN 46235
- Sheet metal cable lugs acc. to DIN 46234
- Insulated ring cable lugs to DIN 46237
- Insulated pin cable lugs to DIN 46231

**General ordering data**

Version	cable lug, terminal end, 4 mm <sup>2</sup> - 6 mm <sup>2</sup>
Order No.	<a href="#">1492770000</a>
Type	KSN/-6,0
GTIN (EAN)	4050118302530
Qty.	100 items
Delivery status	This article will no longer be available in the future.
Available until	2026-03-31T00:00:00+02:00

**KSN/-6,0**

**Weidmüller Interface GmbH & Co. KG**  
 Klingenbergstraße 26  
 D-32758 Detmold  
 Germany

[www.weidmueller.com](http://www.weidmueller.com)

## Technical data

### Approvals

ROHS	Conform
------	---------

### Dimensions and weights

Net weight	1.52 g
------------	--------

### Environmental Product Compliance

RoHS Compliance Status	Compliant without exemption
REACH SVHC	No SVHC above 0.1 wt%

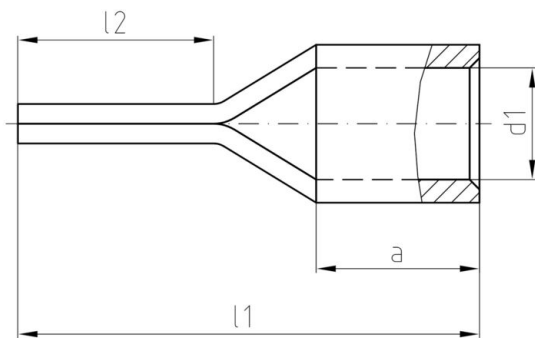
### Connectors

Conductor cross-section, max.	6 mm <sup>2</sup>	Conductor cross-section, min.	4 mm <sup>2</sup>
Insulation	not available	Dimensions pin/plug	2,6 mm
Length 1 (I1)	20 mm	Inside diameter of shaft (d1)	3.6 mm
Length 2 (I2)	11 mm	Shaft length (a)	6 mm

### Classifications

ETIM 8.0	EC001059	ETIM 9.0	EC001059
ETIM 10.0	EC001059	ECLASS 14.0	27-40-02-92
ECLASS 15.0	27-40-02-92		

**Drawings**



KSN/-6,0

Weidmüller Interface GmbH &amp; Co. KG

Klingenbergstraße 26

D-32758 Detmold

Germany

www.weidmueller.com

## Accessories

### Crimping tools



Crimping tools for non-insulated connectors  
Rolled cable lugs, tubular cable lugs, terminal pins,  
parallel and serial connectors

- Ratchet guarantees precise crimping
- Release option in the event of incorrect operation

### General ordering data

Type	HTN 21	Version	
Order No.	<a href="#">9014610000</a>	Pressing tool, Crimping tool for contacts, 0.5mm <sup>2</sup> , 6mm <sup>2</sup> , Indent	
GTIN (EAN)	4008190152734	crimp	
Qty.	1 ST		

### Tools



Crimping tools for cable lugs, connectors and wire-end  
ferrules with interchangeable inserts

- extremely fast processing thanks to hydraulic support
- large processing range up to 300 mm<sup>2</sup>
- 270° revolving quick-action crimping head
- automatic pressure limitation and monitoring via pressure sensor
- electronic control and monitoring of the crimping process
- Saving of all crimping cycles and error messages to internal memory
- Reading of all cycles and error messages via USB
- Li-ion rechargeable battery with charge status indicator: 18 V, 2 Ah

### General ordering data

Type	EPG 45	Version	
Order No.	<a href="#">1500830000</a>	Pressing tool, 6mm <sup>2</sup> , 150mm <sup>2</sup> , Hexagonal crimp, WM crimp, Indent	
GTIN (EAN)	4050118309317	crimp, Trapezoidal crimp, Oval crimping	
Qty.	1 ST		
Type	EPG 60	Version	
Order No.	<a href="#">2453810000</a>	Pressing tools, Tools, Pressing tool, 6mm <sup>2</sup> , 300mm <sup>2</sup> , Hexagonal	
GTIN (EAN)	4050118468434	crimp, WM crimp, Indent crimp, Trapezoidal crimp, Oval crimping	
Qty.	1 ST		
Type	HPG 60	Version	
Order No.	<a href="#">2453820000</a>	6mm <sup>2</sup> , 300mm <sup>2</sup> , Hexagonal crimp, WM crimp, Indent crimp,	
GTIN (EAN)	4050118468427	Trapezoidal crimp, Oval crimping	
Qty.	1 ST		