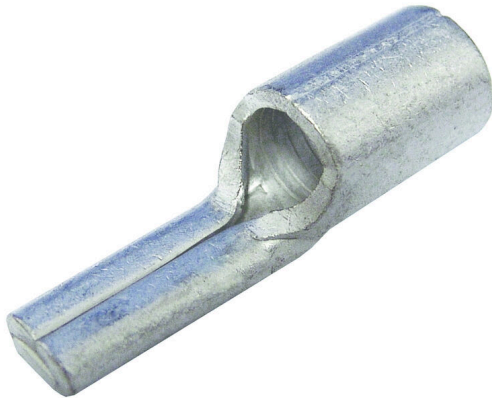


KSN/1,5-2,5**Weidmüller Interface GmbH & Co. KG**Klingenbergstraße 26
D-32758 Detmold
Germany

www.weidmueller.com



The use of insulated connectors guarantees users consistent electrical connection quality in the long term.

- Wide range of insulated and non-insulated cable lugs and connectors
- Tubular cable lugs according to current market standards (Euroseries)
- Compression cable lugs acc. to DIN 46235
- Sheet metal cable lugs acc. to DIN 46234
- Insulated ring cable lugs to DIN 46237
- Insulated pin cable lugs to DIN 46231

General ordering data

Version	cable lug, terminal end, 1,5 mm ² - 2,5 mm ²
Order No.	1492740000
Type	KSN/1,5-2,5
GTIN (EAN)	4050118302660
Qty.	100 items
Delivery status	This article will no longer be available in the future.
Available until	2026-03-31T00:00:00+02:00

Technical data

Approvals

ROHS	Conform
------	---------

Dimensions and weights

Net weight	0.72 g
------------	--------

Environmental Product Compliance

RoHS Compliance Status	Compliant without exemption
REACH SVHC	No SVHC above 0.1 wt%

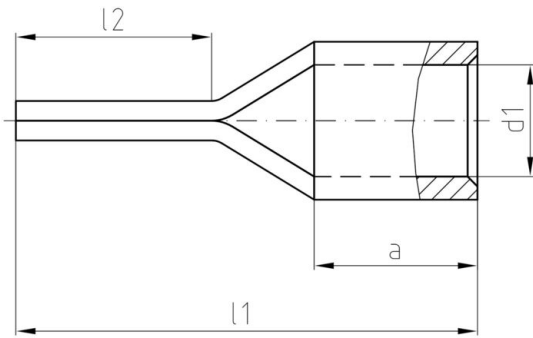
Connectors

Conductor cross-section, max.	2.5 mm ²	Conductor cross-section, min.	1.5 mm ²
Insulation	not available	Dimensions pin/plug	1.9 mm
Length 1 (I1)	17 mm	Inside diameter of shaft (d1)	2.3 mm
Length 2 (I2)	10 mm	Shaft length (a)	5 mm

Classifications

ETIM 8.0	EC001059	ETIM 9.0	EC001059
ETIM 10.0	EC001059	ECLASS 14.0	27-40-02-92
ECLASS 15.0	27-40-02-92		

Drawings



KSN/1,5-2,5

Weidmüller Interface GmbH & Co. KG
Klingenbergstraße 26
D-32758 Detmold
Germany

Accessories

www.weidmueller.com

Crimping tools



Crimping tools for non-insulated connectors
Rolled cable lugs, tubular cable lugs, terminal pins,
parallel and serial connectors

- Ratchet guarantees precise crimping
- Release option in the event of incorrect operation

General ordering data

Type	HTN 21	Version	
Order No.	9014610000	Pressing tool, Crimping tool for contacts, 0.5mm ² , 6mm ² , Indent	
GTIN (EAN)	4008190152734	crimp	
Qty.	1 ST		