

**KSN/0,1-0,5****Weidmüller Interface GmbH & Co. KG**Klingenbergstraße 26  
D-32758 Detmold  
Germany

www.weidmueller.com



The use of insulated connectors guarantees users consistent electrical connection quality in the long term.

- Wide range of insulated and non-insulated cable lugs and connectors
- Tubular cable lugs according to current market standards (Euroseries)
- Compression cable lugs acc. to DIN 46235
- Sheet metal cable lugs acc. to DIN 46234
- Insulated ring cable lugs to DIN 46237
- Insulated pin cable lugs to DIN 46231

**General ordering data**

Version	cable lug, terminal end, 0.1 mm <sup>2</sup> - 0.5 mm <sup>2</sup>
Order No.	<a href="#">1492720000</a>
Type	KSN/0,1-0,5
GTIN (EAN)	4050118302653
Qty.	100 items
Delivery status	This article will no longer be available in the future.
Available until	2026-03-31T00:00:00+02:00

**KSN/0,1-0,5**

**Weidmüller Interface GmbH & Co. KG**  
 Klingenbergstraße 26  
 D-32758 Detmold  
 Germany

[www.weidmueller.com](http://www.weidmueller.com)

## Technical data

### Approvals

ROHS	Conform
------	---------

### Dimensions and weights

Net weight	0.2 g
------------	-------

### Environmental Product Compliance

RoHS Compliance Status	Compliant without exemption
REACH SVHC	No SVHC above 0.1 wt%

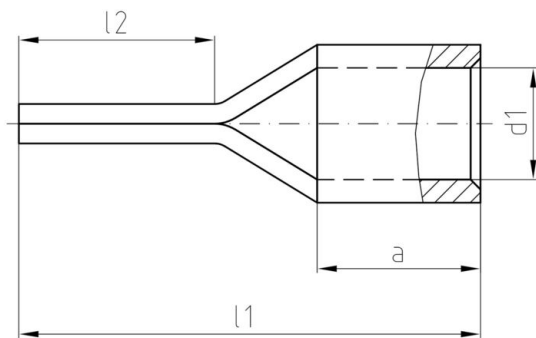
### Connectors

Conductor cross-section, max.	0.5 mm <sup>2</sup>	Conductor cross-section, min.	0.1 mm <sup>2</sup>
Insulation	not available	Dimensions pin/plug	1,2 mm
Length 1 (I1)	14 mm	Inside diameter of shaft (d1)	1 mm
Length 2 (I2)	9 mm	Shaft length (a)	4 mm

### Classifications

ETIM 8.0	EC001059	ETIM 9.0	EC001059
ETIM 10.0	EC001059	ECLASS 14.0	27-40-02-92
ECLASS 15.0	27-40-02-92		

Drawings



**KSN/0,1-0,5**

**Weidmüller Interface GmbH & Co. KG**  
Klingenbergstraße 26  
D-32758 Detmold  
Germany

## Accessories

[www.weidmueller.com](http://www.weidmueller.com)

### Crimping tools



Crimping tools for non-insulated connectors  
Rolled cable lugs, tubular cable lugs, terminal pins,  
parallel and serial connectors

- Ratchet guarantees precise crimping
- Release option in the event of incorrect operation

### General ordering data

Type	HTN 21	Version	
Order No.	<a href="#">9014610000</a>	Pressing tool, Crimping tool for contacts, 0.5mm <sup>2</sup> , 6mm <sup>2</sup> , Indent	
GTIN (EAN)	4008190152734	crimp	
Qty.	1 ST		