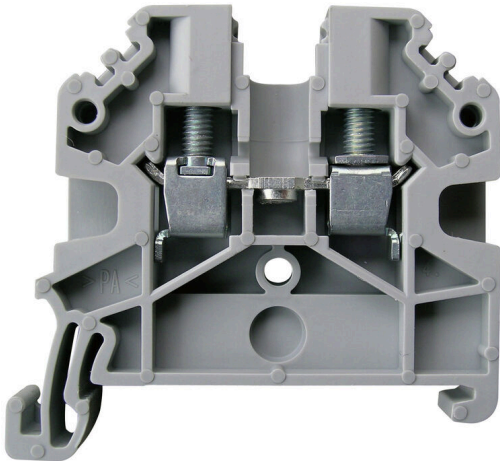


**SAKDU 4N**

**Weidmüller Interface GmbH & Co. KG**  
Klingenbergstraße 26  
D-32758 Detmold  
Germany

[www.weidmueller.com](http://www.weidmueller.com)



**General ordering data**

Version	Feed through terminal with rated cross section 4mm <sup>2</sup>
Order No.	<a href="#">1485800000</a>
Type	SAKDU 4N
GTIN (EAN)	4050118327397
Qty.	100 items

## SAKDU 4N

Weidmüller Interface GmbH & Co. KG  
Klingenbergstraße 26  
D-32758 Detmold  
Germany

www.weidmueller.com

## Technical data

## Approvals

Approvals



ROHS Conform

UL File Number Search [UL Website](#)

Certificate No. (UR) E60693

## Dimensions and weights

Depth	40 mm	Depth (inches)	1.5748 inch
Depth including DIN rail	41 mm	Height	44 mm
Height (inches)	1.7323 inch	Width	6.1 mm
Width (inches)	0.2402 inch	Net weight	6.7 g

## Temperatures

Storage temperature	-25 °C...55 °C	Ambient temperature	-50 °C...75 °C
Continuous operating temp., min.	-50 °C	Continuous operating temp., max.	120 °C

## Environmental Product Compliance

RoHS Compliance Status Compliant without exemption

REACH SVHC No SVHC above 0.1 wt%

## Material data

Basic material	PA 66/6	Colour	grey
UL 94 flammability rating	V-0		

## System specifications

End cover plate required	Yes	Number of potentials	1
Number of levels	1	Number of clamping points per level	2
Number of potentials per tier	1	Mounting rail	TS 35

## Additional technical data

Explosion-tested version No

## Conductors for clamping (additional connection)

Connection type, additional connection Screw connection

## Conductors for clamping (rated connection)

Gauge to IEC 60947-1	A4	Wire connection cross section AWG, max.	AWG 10
Connection direction	on side	Tightening torque, max.	0.8 Nm
Tightening torque, min.	0.5 Nm	Stripping length	10 mm
Type of connection	Screw connection	Number of connections	2
Clamping range, max.	4 mm <sup>2</sup>	Clamping range, min.	0.5 mm <sup>2</sup>
Clamping screw	M 3	Wire connection cross section AWG, min.	AWG 20

## SAKDU 4N

**Weidmüller Interface GmbH & Co. KG**

Klingenbergstraße 26  
D-32758 Detmold  
Germany

www.weidmueller.com

## Technical data

Wire connection cross-section, finely stranded with wire-end ferrules DIN 46228/4, max.	4 mm <sup>2</sup>	Wire connection cross-section, finely stranded with wire-end ferrules DIN 46228/4, min.	0.5 mm <sup>2</sup>
Wire connection cross-section, finely stranded with wire-end ferrules DIN 46228/1, max.	4 mm <sup>2</sup>	Wire connection cross-section, finely stranded with wire-end ferrules DIN 46228/1, min.	0.5 mm <sup>2</sup>
Wire connection cross section, finely stranded, max.	4 mm <sup>2</sup>	Wire connection cross section, finely stranded, min.	0.5 mm <sup>2</sup>
Connection cross-section, stranded, min.	0.5 mm <sup>2</sup>	Wire connection cross-section, solid core, max.	4 mm <sup>2</sup>
Wire connection cross-section, solid core, min.	0.5 mm <sup>2</sup>	Connection cross-section, finely stranded, min.	0.5 mm <sup>2</sup>

### General

Wire connection cross section AWG, max.	AWG 10	Wire connection cross section AWG, min.	AWG 20
Mounting rail	TS 35		

### Rating data

Rated cross-section	4 mm <sup>2</sup>	Rated voltage	800 V
Rated DC voltage	800 V	Nominal current	32 A
Current at maximum wires	32 A	Volume resistance according to IEC 60947-7-x	1 mΩ
Rated impulse withstand voltage	8 kV	Power loss in accordance with IEC 60947-7-x	1.02 W
Surge voltage category	III	Pollution severity	3

### UL rating data

Conductor size Factory wiring max. (UR)	10 AWG	Conductor size Factory wiring min. (UR)	20 AWG
Certificate No. (UR)	E60693	Conductor size Field wiring min. (UR)	20 AWG
Conductor size Field wiring max. (UR)	10 AWG		

### Classifications

ETIM 8.0	EC000897	ETIM 9.0	EC000897
ETIM 10.0	EC000897	ECLASS 14.0	27-25-01-01
ECLASS 15.0	27-25-01-01		

## SAKDU 4N

**Weidmüller Interface GmbH & Co. KG**  
 Klingenbergstraße 26  
 D-32758 Detmold  
 Germany

## Accessories

www.weidmueller.com

## Accessories

## General ordering data

Type	SAKQ 4/10	Version
Order No.	<a href="#">1129340000</a>	Cross-connector (terminal), when screwed in, grey, Number of poles:
GTIN (EAN)	4032248996186	10, Pitch in mm (P): 6.10, Insulated: No, Width: 6 mm
Qty.	20 ST	
Type	SAKQ 4/2	Version
Order No.	<a href="#">1129310000</a>	Cross-connector (terminal), when screwed in, grey, Number of poles:
GTIN (EAN)	4032248996483	2, Pitch in mm (P): 6.10, Insulated: No, Width: 6 mm
Qty.	50 ST	
Type	SAKQ 4/3	Version
Order No.	<a href="#">1129320000</a>	Cross-connector (terminal), when screwed in, grey, Number of poles:
GTIN (EAN)	4032248996162	3, Pitch in mm (P): 6.10, Insulated: No, Width: 6 mm
Qty.	50 ST	
Type	SAKQ 4/4	Version
Order No.	<a href="#">1129330000</a>	Cross-connector (terminal), when screwed in, grey, Number of poles:
GTIN (EAN)	4032248996179	4, Pitch in mm (P): 6.10, Insulated: No, Width: 6 mm
Qty.	50 ST	
Type	SAKAP 2.5-4	Version
Order No.	<a href="#">1129460000</a>	End and partition plate for terminals, grey, Height: 39 mm, Width: 1.5
GTIN (EAN)	4032248970643	mm, V-O, PA 66/6
Qty.	20 ST	
Type	SAKAP 2.5-4 BL	Version
Order No.	<a href="#">1370210000</a>	End and partition plate for terminals, blue, Height: 39 mm, Width: 1.5
GTIN (EAN)	4050118178616	mm, V-O, PA 66/6
Qty.	20 ST	
Type	TSCH 5	Version
Order No.	<a href="#">1485880000</a>	Small partition (terminal), PA 66/6, grey, Continuous operating temp.,
GTIN (EAN)	4050118315394	max.: 120 °C
Qty.	100 ST	
Type	SAKEW 35	Version
Order No.	<a href="#">1129450000</a>	End and partition plate for terminals, grey, Height: 50 mm, Width: 8.5
GTIN (EAN)	4032248970612	mm, V-O, PA 66/6
Qty.	50 ST	
Type	SAKTW 35	Version
Order No.	<a href="#">2696960000</a>	End and partition plate for terminals, grey, Height: 55 mm, Width: 1.5
GTIN (EAN)	4050118861464	mm, V-O, PA 66/6
Qty.	20 ST	

## SAKDU 4N

Weidmüller Interface GmbH &amp; Co. KG

Klingenbergstraße 26

D-32758 Detmold

Germany

www.weidmueller.com

## Accessories

## Disconnect plugs



In contrast to the terminal blocks with integrated disconnect lever, our disconnect plugs can be completely detached or removed from the terminal block and the respective application and offer a flexible alternative solution to our standard disconnectors.

## General ordering data

Type	QB 75/6.2/15	Version	
Order No.	<a href="#">0535200000</a>	Cross-connector (terminal), when screwed in, grey, 27 A, Number of	
GTIN (EAN)	4008190179168	poles: 75, Pitch in mm (P): 6.00, Insulated: No, Width: 0.8 mm	
Qty.	10 ST		

## Cross-connections



The distribution or multiplication of a potential to adjoining terminal blocks is realized via a cross-connection. Additional wiring effort can be easily avoided. Even if the poles are broken out, contact reliability in the terminal blocks is still ensured. Our portfolio offers pluggable and screwable cross-connection systems for modular terminal blocks.

## General ordering data

Type	QB 75/6.2/9/WI	Version	
Order No.	<a href="#">0526400000</a>	Cross-connector (terminal), when screwed in, grey, 27 A, Number of	
GTIN (EAN)	4008190099923	poles: 75, Pitch in mm (P): 6.00, Insulated: No, Width: 0.8 mm	
Qty.	10 ST		
Type	ISPF QB75 SW	Version	
Order No.	<a href="#">0526700000</a>	Insulation profile, Plastic, black	
GTIN (EAN)	4008190093723		
Qty.	10 ST		

## Slotted screwdriver



Slotted screwdriver with rounded blade SD DIN 5265, ISO 2380/2, output to DIN 5264, ISO 2380/1. ChromTop tip, SoftFinish grip

## SAKDU 4N

**Weidmüller Interface GmbH & Co. KG**  
 Klingenbergstraße 26  
 D-32758 Detmold  
 Germany

www.weidmueller.com

## Accessories

### General ordering data

Type	SDS 0.6X3.5X100	Version	
Order No.	<a href="#">2749340000</a>	Screwdriver, Blade width (B): 3.5 mm, Blade length: 100 mm, Blade thickness (A): 0.6 mm	
GTIN (EAN)	4050118895568		
Qty.	1 ST		

### Plus



The Dekafix (DEK) marker is the universal marker for all conductor and plug-in connectors as well as for electronic sub-assemblies. The system is ideal for short number sequences and covers a wide range of ready-printed markers.

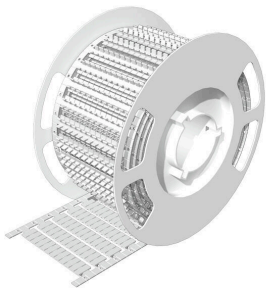
Strips for fast installation in only one work step. The printing is easy to read, rich in contrast and available in various widths.

- Large range of ready-to-use markers
  - Strips for fast installation
  - Terminal markers, suitable for all Weidmüller cable connectors
  - Available as blank MultiCard or with standard printing
- For custom printing: Please send us a file of our labeling software M-Print PRO or M-Print PRO Online (without installation) for your labeling specifications.

### General ordering data

Type	DEK 5/6 PLUS MC NE WS	Version	
Order No.	<a href="#">1011320000</a>	Dekafix, Terminal marker, 5 x 6 mm, Pitch in mm (P): 6.00	
GTIN (EAN)	4032248717644	Weidmueller, white	
Qty.	1000 ST		

### BLM



### General ordering data

Type	BLM 5/6 TB	Version	
Order No.	<a href="#">7760380691</a>	BLM, Terminal marker, 5 x 6 mm, Pitch in mm (P): 6.00 Weidmueller, white	
GTIN (EAN)	6944169819131		
Qty.	6000 ST		