

CH20M AD SHL 5.00/04 AGY 3747

Weidmüller Interface GmbH & Co. KG
 Klingenbergstraße 26
 D-32758 Detmold
 Germany

www.weidmueller.com

Product image



Future-proof solutions for industrial electronics for mounting in the control cabinet

Electronichousings are crucial for the integration of electronic assemblies in the control cabinet. They protect sensitive components and ensure reliable connections. Thanks to high-quality materials, they offer long-term solutions for industrial applications.

Your advantages:

Flexibility: Scalable solutions for different requirements

Safety: Robust design to protect your electronics

Efficiency: Simple installation and optimized connection technology

Housing solutions for every application:

Our portfolio includes modular housings (e.g. CH20M), small housings and profile housings designed for control, signal conversion and safety applications. These housings offer customizable designs, easy mounting and high connection capacity.

Customization:

In addition to standard solutions, we offer customization in design, color and printing. The Weidmüller Configurator enables individual design.

Our service:

We offer expert advice and technical support for your projects. In the download area you will find CAD data, data sheets and installation instructions for efficient integration.

General ordering data

Version	Hood, OMNIMATE Housing - series CH20M Agate grey, Side element cover, Width: 22.5 mm
Order No.	1472830000
Type	CH20M AD SHL 5.00/04 AGY 3747
GTIN (EAN)	4050118279429
Qty.	50 items

CH20M AD SHL 5.00/04 AGY 3747

Weidmüller Interface GmbH & Co. KG
 Klingenbergstraße 26
 D-32758 Detmold
 Germany

www.weidmueller.com

Technical data

Approvals

ROHS	Conform
------	---------

Dimensions and weights

Depth	15.2 mm	Depth (inches)	0.5984 inch
Height	23.4 mm	Height (inches)	0.9213 inch
Width	22.5 mm	Width (inches)	0.8858 inch
Net weight	1.61 g		

Temperatures

Ambient temperature	-25 °C...85 °C	Operating temperature range	-40...120 °C
Humidity	5 - 93% rel. humidity, Tu = 40°C, no condensation		

Environmental Product Compliance

RoHS Compliance Status	Compliant without exemption
REACH SVHC	No SVHC above 0.1 wt%

Material data

UL 94 flammability rating	V-0	Insulating material	PA 66 GF 30
Insulating material group	I	Surface finish	untreated
Basic material	Plastic	Comparative Tracking Index (CTI)	600 ≤ CTI

General data

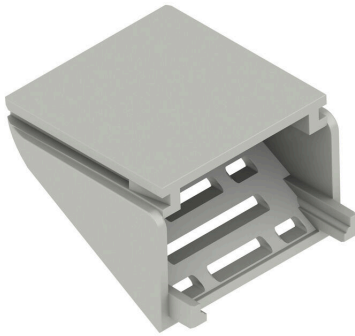
Colour	Agate grey	Protection degree	IP20 in installed state
Colour chart (similar)	RAL 7038	Encapsulation option	No

Classifications

ETIM 8.0	EC001031	ETIM 9.0	EC001031
ETIM 10.0	EC001031	ECLASS 14.0	27-19-06-05
ECLASS 15.0	27-19-06-05		

Drawings

Product image



Dimensioned drawing

