

IE-FCI-PWS-US**Weidmüller Interface GmbH & Co. KG**

Klingenbergstraße 26

D-32758 Detmold

Germany

www.weidmueller.com



FrontCom® Vario integrates multiple functions in only one single frame. The system is easy to install and you can select from a wide range of data, signal and power modules. In addition to being extremely compact, Front-Com® Vario offers a number of unique product features that will make your project planning and work activities secure, fast and future-proof. Furthermore, the Front-Com® Vario system has an attractive housing design that, by the way, offers highest impact-resistance and fully meets the requirements of IP 65 protection class.

General ordering data

Version	FrontCom, Insert Power US, Type B, Socket connector, US
Order No.	1450800000
Type	IE-FCI-PWS-US
GTIN (EAN)	4050118255638
Qty.	1 items

Technical data

Approvals

Approvals



ROHS	Conform
UL File Number Search	UL Website
Certificate No. (UR)	E479233
Certificate No. (cURus)	E340886

Dimensions and weights

Net weight	10.76 g
------------	---------

Temperatures

Storage temperature	Operating temperature	-20 °C...85 °C
Installation temperature		

Environmental Product Compliance

RoHS Compliance Status	Compliant without exemption
REACH SVHC	No SVHC above 0.1 wt%

General data

Protection degree	IP20 (front side)	Insert type	Insert Power US
Connector face	Type B		

Clampable conductors

Type of connection	Solder connection, FS 4.8 x 0.8	Conductor connection cross-section, flexible without wire end ferrule	...
Conductor connection cross-section, extremely flexible without wire end ferrule	...	Conductor connection cross-section, rigid	...
Conductor connection cross-section, flexible with wire end ferrule	...	Conductor connection cross-section, extremely flexible with wire end ferrule	...

Technical data

Contact resistance	≤ 30 mΩ	Rated voltage (AC)	125 V
Housing main material	PA 66	Insulation resistance	≥ 100 MΩ @ 500 V DC
Nominal current	15 A		

Electrical properties

Contact resistance	≤ 30 mΩ	Insulation resistance	≥ 100 MΩ @ 500 V DC
--------------------	---------	-----------------------	---------------------

General standards

Certificate No. (cURus)	E340886	Certificate No. (DNV)	TAA000022B
Certificate No. (UR)	E479233		

Technical data

Important note

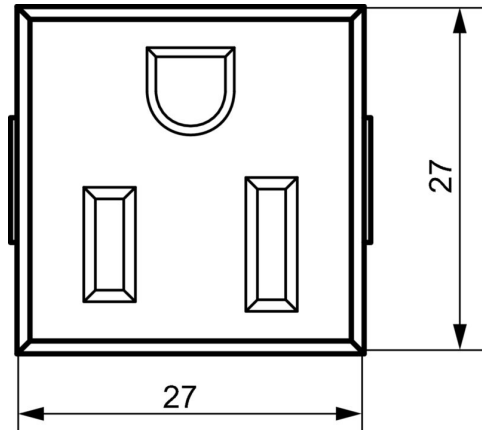
Product information For US socket touch-safe protection is mandatory (accessories 1491920000 or 1450820000)

Classifications

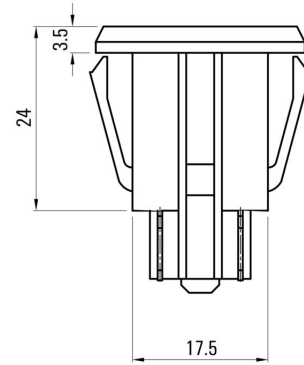
ETIM 8.0	EC001121	ETIM 9.0	EC001121
ETIM 10.0	EC001121	ECLASS 14.0	27-18-28-92
ECLASS 15.0	27-18-28-92		

Drawings

Dimensioned drawing



Dimensioned drawing



IE-FCI-PWS-US

Weidmüller Interface GmbH & Co. KG

Klingenbergstraße 26

D-32758 Detmold

Germany

www.weidmueller.com

Accessories

shielded



FrontCom® Vario integrates multiple functions in only one single frame. The system is easy to install and you can select from a wide range of data, signal and power modules. In addition to being extremely compact, FrontCom® Vario offers a number of unique product features that will make your project planning and work activities secure, fast and future-proof. Furthermore, the FrontCom® Vario system has an attractive housing design that, by the way, offers highest impact-resistance and fully meets the requirements of IP 65 protection class.

General ordering data

Type	IE-FC-SP-PWU/2ST	Version	
Order No.	1450620000	FrontCom, Insert plate, shielded	
GTIN (EAN)	4050118255270		
Qty.	1 ST		

unshielded



FrontCom® Vario integrates multiple functions in only one single frame. The system is easy to install and you can select from a wide range of data, signal and power modules. In addition to being extremely compact, FrontCom® Vario offers a number of unique product features that will make your project planning and work activities secure, fast and future-proof. Furthermore, the FrontCom® Vario system has an attractive housing design that, by the way, offers highest impact-resistance and fully meets the requirements of IP 65 protection class.

General ordering data

Type	IE-FC-IP-PWU/2ST	Version	
Order No.	1450700000	FrontCom, Insert plate, unshielded	
GTIN (EAN)	4050118255607		
Qty.	1 ST		
Type	IE-FC-IP-PWU/1ST/CB	Version	
Order No.	1543710000	FrontCom, Insert plate, unshielded	
GTIN (EAN)	4050118348927		
Qty.	1 ST		