

IE-FCI-PWB-CH**Weidmüller Interface GmbH & Co. KG**

Klingenbergstraße 26

D-32758 Detmold

Germany

www.weidmueller.com



FrontCom® Vario integrates multiple functions in only one single frame. The system is easy to install and you can select from a wide range of data, signal and power modules. In addition to being extremely compact, FrontCom® Vario offers a number of unique product features that will make your project planning and work activities secure, fast and future-proof. Furthermore, the FrontCom® Vario system has an attractive housing design that, by the way, offers highest impact-resistance and fully meets the requirements of IP 65 protection class.

General ordering data

Version	FrontCom, Insert Power large, Type J, Socket connector, CH
Order No.	1450780000
Type	IE-FCI-PWB-CH
GTIN (EAN)	4050118255553
Qty.	1 items

Technical data

Approvals

Approvals



ROHS Conform

Dimensions and weights

Net weight 25 g

Temperatures

Storage temperature -10 °C...70 °C Operating temperature -5 °C...40 °C
 Installation temperature

Environmental Product Compliance

RoHS Compliance Status Compliant without exemption
 REACH SVHC No SVHC above 0.1 wt%

General data

Protection degree IP20 Insert type Insert Power large
 Connector face Type J Fire load 770 kJ

Clampable conductors

Stripping length	10 mm	
Type of connection	PUSH IN	
Conductor connection cross-section, extremely flexible with wire end ferrule	min.	1.5 mm ²
	max.	1.5 mm ²
Conductor connection cross-section, extremely flexible without wire end ferrule	min.	1.5 mm ²
	max.	2.5 mm ²
Conductor connection cross-section, rigid	min.	1.5 mm ²
	max.	2.5 mm ²
Conductor connection cross-section, flexible with wire end ferrule	min.	1.5 mm ²
	max.	1.5 mm ²
Conductor connection cross-section, flexible without wire end ferrule	1.5 ... 2.5 mm ²	
Conductor connection cross-section, extremely flexible without wire end ferrule	1.5 ... 2.5 mm ²	
Conductor connection cross-section, rigid	1.5 ... 2.5 mm ²	
Conductor connection cross-section, flexible with wire end ferrule	1.5 ... 1.5 mm ²	
Conductor connection cross-section, flexible without wire end ferrule	min.	1.5 mm ²
	max.	2.5 mm ²
Conductor connection cross-section, extremely flexible with wire end ferrule	1.5 ... 1.5 mm ²	

Technical data

Rated voltage (AC) 250 V Housing main material Polycarbonate PC
 Nominal current 10 A

Technical data**General standards**

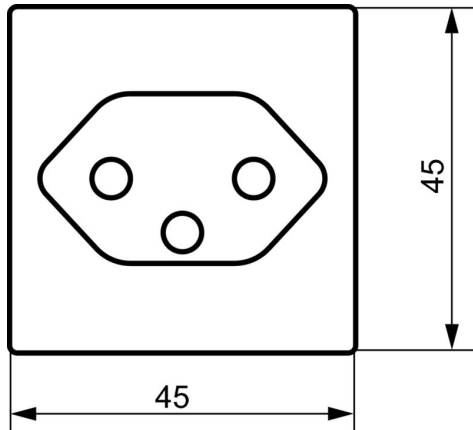
Certificate No. (DNV)	TAA000022B
-----------------------	------------

Classifications

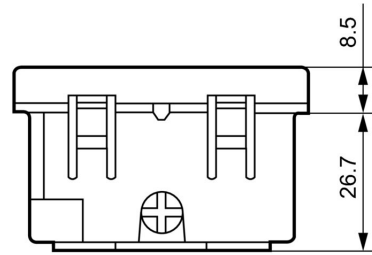
ETIM 8.0	EC001121	ETIM 9.0	EC001121
ETIM 10.0	EC001121	ECLASS 14.0	27-18-28-92
ECLASS 15.0	27-18-28-92		

Drawings

Dimensioned drawing



Dimensioned drawing



Accessories

Rail adaptor for socket inserts



At Weidmüller you can get everything you need from one source - including accessories for Industrial Ethernet.

The benefits for you:

- tools
- testing instruments
- cable bushings
- cabinet connections
- markers
- dust protection
- power packs
- overvoltage protection

General ordering data

Type	IE-DINRAIL-AD-PWB	Version	
Order No.	2534680000		
GTIN (EAN)	4050118546354		
Qty.	1 ST		