

**IE-FC-SFP-KEY2****Weidmüller Interface GmbH & Co. KG**

Klingenbergstraße 26

D-32758 Detmold

Germany

www.weidmueller.com



FrontCom® Vario integrates multiple functions in only one single frame. The system is easy to install and you can select from a wide range of data, signal and power modules. In addition to being extremely compact, Front-Com® Vario offers a number of unique product features that will make your project planning and work activities secure, fast and future-proof. Furthermore, the Front-Com® Vario system has an attractive housing design that, by the way, offers highest impact-resistance and fully meets the requirements of IP 65 protection class.

**General ordering data**

Version	FrontCom, Single frame, Plastic cover, Lockable with key
Order No.	<a href="#">1450520000</a>
Type	IE-FC-SFP-KEY2
GTIN (EAN)	4050118255232
Qty.	1 items

## Technical data

### Approvals

Approvals



ROHS Conform

### Dimensions and weights

Depth	27.5 mm	Depth (inches)	1.0827 inch
Height	134 mm	Height (inches)	5.2756 inch
Width	67 mm	Width (inches)	2.6378 inch
Wall thickness, min.	1 mm	Wall thickness, max.	5 mm
Net weight	332 g		

### Temperatures

Storage temperature	Operating temperature	-40 °C... 70 °C
Installation temperature		

### Environmental Product Compliance

RoHS Compliance Status	Compliant without exemption
REACH SVHC	No SVHC above 0.1 wt%

### General data

Product type	Single frame, Plastic cover, Lockable with key	Protection degree	IP65, in closed state
Material frame	Zinc diecast	Material cover	Polycarbonate PC

### General standards

Certificate No. (DNV)	TAA000022B
-----------------------	------------

### Classifications

ETIM 8.0	EC001031	ETIM 9.0	EC001031
ETIM 10.0	EC001031	ECLASS 14.0	27-18-28-92
ECLASS 15.0	27-18-28-92		

IE-FC-SFP-KEY2

Weidmüller Interface GmbH & Co. KG  
Klingenbergstraße 26  
D-32758 Detmold  
Germany

www.weidmueller.com

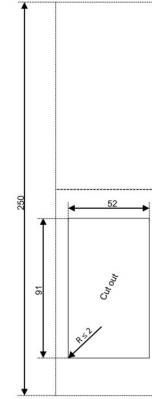
Drawings

Dimensioned drawing



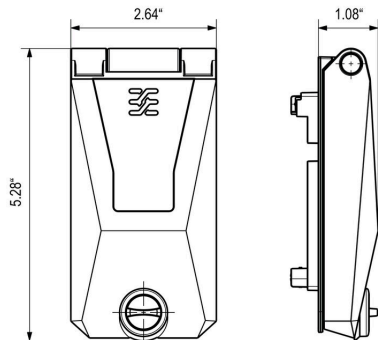
Unit: mm

Installation cut-out



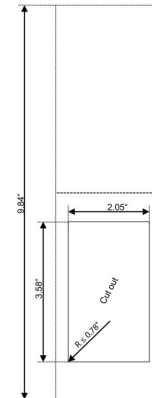
Unit: mm

Dimensioned drawing



Unit: in

Installation cut-out



Unit: in