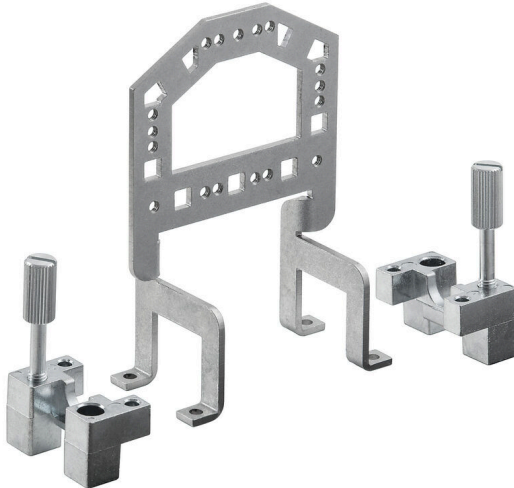


HDC GRIP PANEL 4 ADAPT

Weidmüller Interface GmbH & Co. KG
Klingenbergstraße 26
D-32758 Detmold
Germany

www.weidmueller.com



General ordering data

Version	Heavy-duty connectors, Accessories, Grip panel
Order No.	1444710000
Type	HDC GRIP PANEL 4 ADAPT
GTIN (EAN)	4050118250145
Qty.	1 items

HDC GRIP PANEL 4 ADAPT

Weidmüller Interface GmbH & Co. KG
 Klingenbergstraße 26
 D-32758 Detmold
 Germany

www.weidmueller.com

Technical data

Approvals

Approvals



ROHS Conform

Dimensions and weights

Net weight 124.69 g

Temperatures

Continuous operating temp., min. -40 °C Continuous operating temp., max. 125 °C

Environmental Product Compliance

RoHS Compliance Status Compliant without exemption
 REACH SVHC No SVHC above 0.1 wt%

Version

Installation size 4 Basic material Steel, galvanized
 Suitable for ModuPlug® No

Classifications

ETIM 8.0 EC002943 ETIM 9.0 EC002943
 ETIM 10.0 EC002943 ECLASS 14.0 27-44-02-92
 ECLASS 15.0 27-44-02-92