

## IE-PCBR2-M12X-S-180

**Weidmüller Interface GmbH & Co. KG**  
Klingenbergstraße 26  
D-32758 Detmold  
Germany

[www.weidmueller.com](http://www.weidmueller.com)



### General ordering data

Version	PCB plug-in connector, M12, Solder connection, Cat.6A / Class EA (ISO/IEC 11801 2010), IP67, when screwed in, Reflow compatible, Back panel mounting
Order No.	<a href="#">1444650000</a>
Type	IE-PCBR2-M12X-S-180
GTIN (EAN)	4050118250060
Qty.	10 items

## IE-PCBR2-M12X-S-180

Weidmüller Interface GmbH &amp; Co. KG

Klingenbergstraße 26

D-32758 Detmold

Germany

www.weidmueller.com

## Technical data

## Approvals

Approvals



ROHS Conform

UL File Number Search [UL Website](#)

Certificate no. (cULus) E316369

## Dimensions and weights

Wall thickness, min.	0.9 mm	Wall thickness, max.	2.5 mm
Net weight	16 g		

## Temperatures

Storage temperature	Operating temperature	-40 °C...85 °C
Installation temperature		

## Environmental Product Compliance

RoHS Compliance Status	Compliant with exemption
RoHS Exemption (if applicable/known)	6c
REACH SVHC	Lead 7439-92-1
SCIP	67cf1078-beca-4687-860b-dc475a6ec24a

## Technical data of PCB plug-in connector

Number of poles	8	Coding	X-coded
Nominal voltage	48 V	Protection degree	IP67, when screwed in
Contact surface	Gold over nickel	Housing main material	CuZn
Connection thread	M12	Insulation resistance	100 MΩ
Plugging cycles	≥ 100	Contact material	Cu-alloy

## General Info

Number of poles	8	Connection 1	M12
Connection 2	Solder connection	Composition	Reflow compatible, Back panel mounting
Housing main material	CuZn	Category	Cat.6A / Class EA (ISO/IEC 11801 2010)
Connection thread	M12	Contact material	Cu-alloy
Contact surface	Gold over nickel	Shielding material	CuSn
Shielding	360° all-round enclosure	Protection degree	IP67, when screwed in
Plugging cycles	≥ 100		

## Important note

Notes

## Classifications

ETIM 8.0	EC003568	ETIM 9.0	EC003568
ETIM 10.0	EC003568	ECLASS 14.0	27-44-01-10
ECLASS 15.0	27-44-01-10		

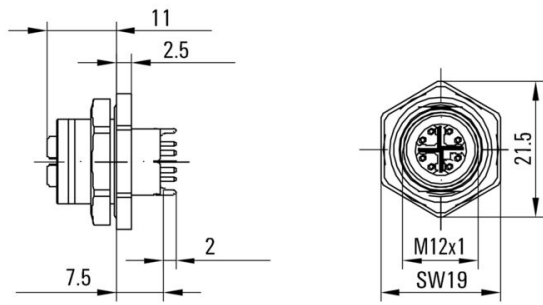
**IE-PCBR2-M12X-S-180**

**Weidmüller Interface GmbH & Co. KG**  
 Klingenbergstraße 26  
 D-32758 Detmold  
 Germany

www.weidmueller.com

**Drawings**

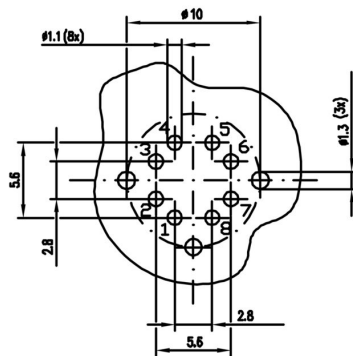
**Dimensioned drawing**



**Pinning**



**Drilling template**



**Installation cut-out**

