

**HDC MHP100 M 25**

**Weidmüller Interface GmbH & Co. KG**  
Klingenbergstraße 26  
D-32758 Detmold  
Germany

www.weidmueller.com



Crimps provide a electrical and mechanical connection between wire and contact that is both secure and reliable. The optimal crimp connection is gas-tight and corrosion-resistant.

**General ordering data**

Version	Male, silver, 25 - 25 mm <sup>2</sup>
Order No.	<a href="#">1435770000</a>
Type	HDC MHP100 M 25
GTIN (EAN)	4050118240573
Qty.	10 items

**HDC MHP100 M 25**

**Weidmüller Interface GmbH & Co. KG**  
 Klingenbergstraße 26  
 D-32758 Detmold  
 Germany

www.weidmueller.com

**Technical data**

**Approvals**

Approvals



ROHS Conform

**Dimensions and weights**

Net weight 14.22 g

**Temperatures**

Limit temperature -40 °C ... 125 °C

**Environmental Product Compliance**

RoHS Compliance Status	Compliant with exemption
RoHS Exemption (if applicable/known)	6c
REACH SVHC	Lead 7439-92-1
SCIP	6eabd5ae-2d6b-409e-8bdf-87c27ee10e40

**General data**

Contact diameter, male Ø	6.55 mm	Stripping length, rated connection	19 mm
Type of connection	Crimp connection	Version insert	MHP
Conductor cross-section, max.	25 mm <sup>2</sup>	Conductor cross-section, min.	25 mm <sup>2</sup>
Surface finish	silver	Plugging cycles	≥ 500
Type	Male	Basic material	Copper alloy
Production methods	turned	Cross-section for connected wire	25 - 25 mm <sup>2</sup>

**Classifications**

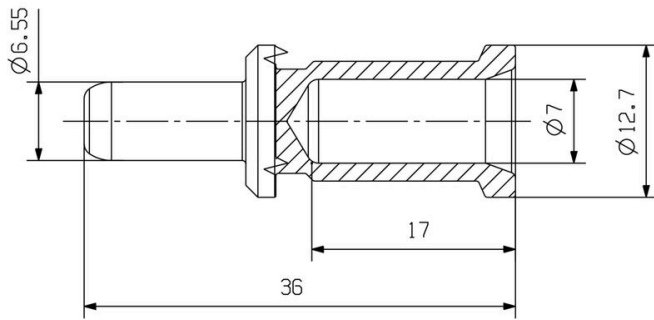
ETIM 8.0	EC000796	ETIM 9.0	EC000796
ETIM 10.0	EC000796	ECLASS 14.0	27-44-02-04
ECLASS 15.0	27-44-02-04		

**HDC MHP100 M 25**

**Weidmüller Interface GmbH & Co. KG**  
Klingenbergstraße 26  
D-32758 Detmold  
Germany

**Drawings**

[www.weidmueller.com](http://www.weidmueller.com)



## HDC MHP100 M 25

Weidmüller Interface GmbH &amp; Co. KG

Klingenbergstraße 26

D-32758 Detmold

Germany

www.weidmueller.com

## Accessories

## Tools



Crimping tools for cable lugs, connectors and wire-end ferrules with interchangeable inserts

- extremely fast processing thanks to hydraulic support
- large processing range up to 300 mm<sup>2</sup>
- 270° revolving quick-action crimping head
- automatic pressure limitation and monitoring via pressure sensor
- electronic control and monitoring of the crimping process
- Saving of all crimping cycles and error messages to internal memory
- Reading of all cycles and error messages via USB
- Li-ion rechargeable battery with charge status indicator: 18 V, 2 Ah

## General ordering data

Type	EPG 45	Version
Order No.	<a href="#">1500830000</a>	Pressing tool, 6mm <sup>2</sup> , 150mm <sup>2</sup> , Hexagonal crimp, WM crimp, Indent
GTIN (EAN)	4050118309317	crimp, Trapezoidal crimp, Oval crimping
Qty.	1 ST	

## ... for compression cable lugs (acc. to DIN 46235)



Crimping tools for cable lugs, connectors and wire-end ferrules with interchangeable inserts

- extremely fast processing thanks to hydraulic support
- large processing range up to 300 mm<sup>2</sup>
- 270° revolving quick-action crimping head
- automatic pressure limitation and monitoring via pressure sensor
- electronic control and monitoring of the crimping process
- Saving of all crimping cycles and error messages to internal memory
- Reading of all cycles and error messages via USB
- Li-ion rechargeable battery with charge status indicator: 18 V, 2 Ah

## General ordering data

Type	ES EPG 45 HEX 25/50	Version
Order No.	<a href="#">1500970000</a>	50mm <sup>2</sup> , Hexagonal crimp
GTIN (EAN)	4050118309195	
Qty.	1 ST	