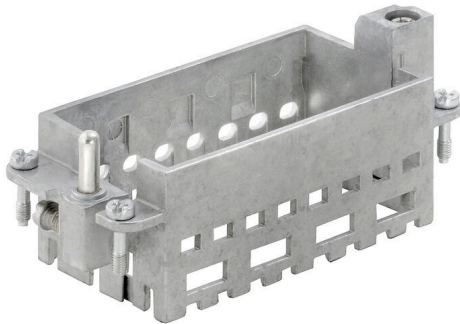


**HDC MF 16B AD**

**Weidmüller Interface GmbH & Co. KG**  
Klingenbergstraße 26  
D-32758 Detmold  
Germany

www.weidmueller.com



**General ordering data**

Version	Frame
Order No.	<a href="#">1429010000</a>
Type	HDC MF 16B AD
GTIN (EAN)	4050118233315
Qty.	1 items

## HDC MF 16B AD

Weidmüller Interface GmbH & Co. KG  
Klingenbergstraße 26  
D-32758 Detmold  
Germany

www.weidmueller.com

## Technical data

## Approvals

Approvals



ROHS Conform

UL File Number Search [UL Website](#)

Certificate No. (cURus) E92202

## Dimensions and weights

Depth	37.35 mm	Depth (inches)	1.4705 inch
Height	36.4 mm	Height (inches)	1.4331 inch
Width	84.5 mm	Width (inches)	3.3268 inch
Net weight	84.24 g		

## Temperatures

Limit temperature -40 °C ... 125 °C

## Environmental Product Compliance

RoHS Compliance Status	Compliant with exemption		
RoHS Exemption (if applicable/known)	6c		
REACH SVHC	Lead 7439-92-1		
SCIP	d447edfa-0214-4f34-b5ba-82eae491b46a		

## General data

Installation size	6	Plugging cycles	≥ 500
Basic material	Diecast zinc	Series	ModuPlug
Number of slots	4		

## PE connection data

Connection type PE	Screw connection	Conductor cross-section, max.	10 mm <sup>2</sup>
Conductor cross-section, min.	0.5 mm <sup>2</sup>	Tightening torque, max. PE connection	1.2 Nm

## Classifications

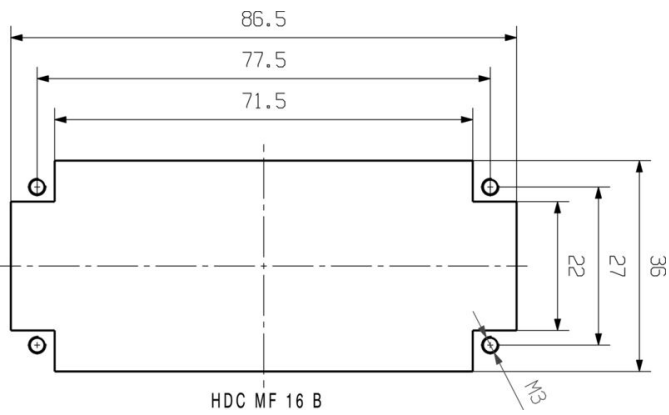
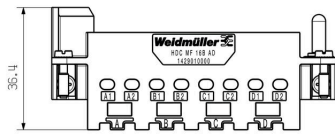
ETIM 8.0	EC002312	ETIM 9.0	EC002312
ETIM 10.0	EC002312	ECLASS 14.0	27-44-02-92
ECLASS 15.0	27-44-02-92		

HDC MF 16B AD

Weidmüller Interface GmbH & Co. KG  
Klingenbergstraße 26  
D-32758 Detmold  
Germany

Drawings

[www.weidmueller.com](http://www.weidmueller.com)



## HDC MF 16B AD

**Weidmüller Interface GmbH & Co. KG**  
 Klingenbergstraße 26  
 D-32758 Detmold  
 Germany

[www.weidmueller.com](http://www.weidmueller.com)

## Accessories

## Shield lever



In addition to heavy-duty connectors, RockStar® includes the appropriate accessories for effective, functional and safe system cabling; e.g. coding systems, shield clamps, cover plates and replacement seals

## General ordering data

Type	HDC MSL16	Version	
Order No.	<a href="#">1435430000</a>	Shield clamp	
GTIN (EAN)	4050118240016		
Qty.	1 ST		

## Miscellaneous



In addition to heavy-duty connectors, RockStar® includes the appropriate accessories for effective, functional and safe system cabling; e.g. coding systems, shield clamps, cover plates and replacement seals

## General ordering data

Type	HDC MF CA16 PE	Version	
Order No.	<a href="#">1480940000</a>	PE extension	
GTIN (EAN)	4050118289657		
Qty.	10 ST		
Type	HDC MF FIXING	Version	
Order No.	<a href="#">1480290000</a>	Transport lock	
GTIN (EAN)	4050118288704		
Qty.	20 ST		

## HDC ModuPlug



Various accessories are available for our inserts. This includes coding elements for the inserts.

## HDC MF 16B AD

**Weidmüller Interface GmbH & Co. KG**  
Klingenbergstraße 26  
D-32758 Detmold  
Germany

[www.weidmueller.com](http://www.weidmueller.com)

## Accessories

### General ordering data

Type	HDC CM GUIDING PIN	Version
Order No.	<a href="#">1202660000</a>	Heavy-duty connectors, Accessories, Accessories
GTIN (EAN)	4032248985258	
Qty.	100 ST	
Type	HDC CM GUIDING SOCKET	Version
Order No.	<a href="#">1202670000</a>	Heavy-duty connectors, Accessories, Accessories
GTIN (EAN)	4032248985135	
Qty.	100 ST	