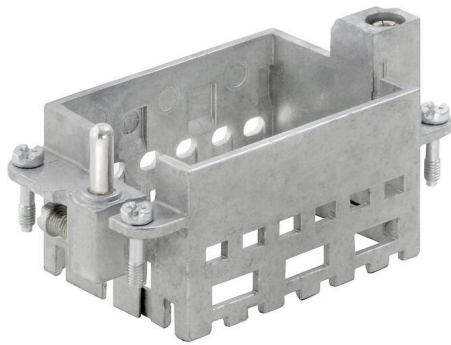


HDC MF 10B CA

Weidmüller Interface GmbH & Co. KG
Klingenbergstraße 26
D-32758 Detmold
Germany

www.weidmueller.com



General ordering data

Version	Frame
Order No.	1428980000
Type	HDC MF 10B CA
GTIN (EAN)	4050118233278
Qty.	1 items

HDC MF 10B CA

Weidmüller Interface GmbH & Co. KG
 Klingenbergstraße 26
 D-32758 Detmold
 Germany

www.weidmueller.com

Technical data

Approvals

Approvals



ROHS Conform

UL File Number Search [UL Website](#)

Certificate No. (cURus) E92202

Dimensions and weights

Depth	37.35 mm	Depth (inches)	1.4705 inch
Height	36.4 mm	Height (inches)	1.4331 inch
Width	64 mm	Width (inches)	2.5197 inch
Net weight	67.54 g		

Temperatures

Limit temperature -40 °C ... 125 °C

Environmental Product Compliance

RoHS Compliance Status Compliant with exemption

RoHS Exemption (if applicable/known) 6c

REACH SVHC Lead 7439-92-1

SCIP d447edfa-0214-4f34-b5ba-82eae491b46a

General data

Installation size	4	Plugging cycles	≥ 500
Basic material	Diecast zinc	Series	ModuPlug
Number of slots	3		

PE connection data

Connection type PE	Screw connection	Conductor cross-section, max.	10 mm ²
Conductor cross-section, min.	0.5 mm ²	Tightening torque, max. PE connection	1.2 Nm

Classifications

ETIM 8.0	EC002312	ETIM 9.0	EC002312
ETIM 10.0	EC002312	ECLASS 14.0	27-44-02-92
ECLASS 15.0	27-44-02-92		

HDC MF 10B CA

Weidmüller Interface GmbH & Co. KG
Klingenbergstraße 26
D-32758 Detmold
Germany

Drawings

www.weidmueller.com

