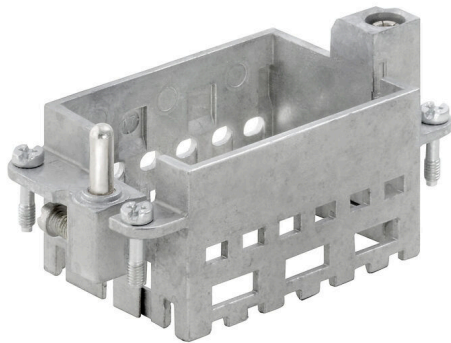


HDC MF 10B AC

Weidmüller Interface GmbH & Co. KG
Klingenbergstraße 26
D-32758 Detmold
Germany

www.weidmueller.com

**Simple**

The innovative sliding frame has two defined lock-in positions for opening and closing. This enables simple and tool-free module assembly.

General ordering data

Version	Frame
Order No.	1428960000
Type	HDC MF 10B AC
GTIN (EAN)	4050118233223
Qty.	1 items

HDC MF 10B AC

Weidmüller Interface GmbH & Co. KG

Klingenbergstraße 26

D-32758 Detmold

Germany

www.weidmueller.com

Technical data

Approvals

Approvals



ROHS Conform

UL File Number Search [UL Website](#)

Certificate No. (cURus) E92202

Dimensions and weights

Depth	37.35 mm	Depth (inches)	1.4705 inch
Height	36.4 mm	Height (inches)	1.4331 inch
Width	64 mm	Width (inches)	2.5197 inch
Net weight	67.54 g		

Temperatures

Limit temperature -40 °C ... 125 °C

Environmental Product Compliance

RoHS Compliance Status	Compliant with exemption		
RoHS Exemption (if applicable/known)	6c		
REACH SVHC	Lead 7439-92-1		
SCIP	d447edfa-0214-4f34-b5ba-82eae491b46a		

General data

Installation size	4	Plugging cycles	≥ 500
Basic material	Diecast zinc	Series	ModuPlug
Number of slots	3		

PE connection data

Connection type PE	Screw connection	Conductor cross-section, max.	10 mm ²
Conductor cross-section, min.	0.5 mm ²	Tightening torque, max. PE connection	1.2 Nm

Classifications

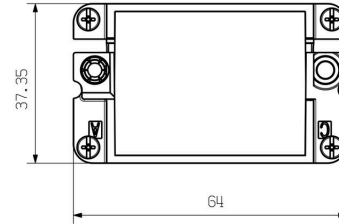
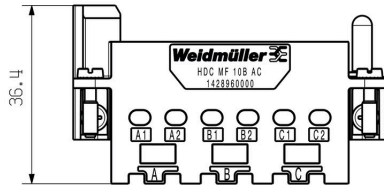
ETIM 8.0	EC002312	ETIM 9.0	EC002312
ETIM 10.0	EC002312	ECLASS 14.0	27-44-02-92
ECLASS 15.0	27-44-02-92		

HDC MF 10B AC

Weidmüller Interface GmbH & Co. KG
Klingenbergstraße 26
D-32758 Detmold
Germany

Drawings

www.weidmueller.com



HDC MF 10B AC

Weidmüller Interface GmbH & Co. KG
 Klingenbergstraße 26
 D-32758 Detmold
 Germany

www.weidmueller.com

Accessories

Shield lever



In addition to heavy-duty connectors, RockStar® includes the appropriate accessories for effective, functional and safe system cabling; e.g. coding systems, shield clamps, cover plates and replacement seals

General ordering data

Type	HDC MSL 10	Version	
Order No.	1435420000	Shield clamp	
GTIN (EAN)	4050118239959		
Qty.	1 ST		

Miscellaneous



In addition to heavy-duty connectors, RockStar® includes the appropriate accessories for effective, functional and safe system cabling; e.g. coding systems, shield clamps, cover plates and replacement seals

General ordering data

Type	HDC MF CA16 PE	Version	
Order No.	1480940000	PE extension	
GTIN (EAN)	4050118289657		
Qty.	10 ST		
Type	HDC MF FIXING	Version	
Order No.	1480290000	Transport lock	
GTIN (EAN)	4050118288704		
Qty.	20 ST		

HDC ModuPlug



Various accessories are available for our inserts. This includes coding elements for the inserts.

HDC MF 10B AC

Weidmüller Interface GmbH & Co. KG
Klingenbergstraße 26
D-32758 Detmold
Germany

Accessories

www.weidmueller.com

General ordering data

Type	HDC CM GUIDING PIN	Version
Order No.	1202660000	Heavy-duty connectors, Accessories, Accessories
GTIN (EAN)	4032248985258	
Qty.	100 ST	
Type	HDC CM GUIDING SOCKET	Version
Order No.	1202670000	Heavy-duty connectors, Accessories, Accessories
GTIN (EAN)	4032248985135	
Qty.	100 ST	