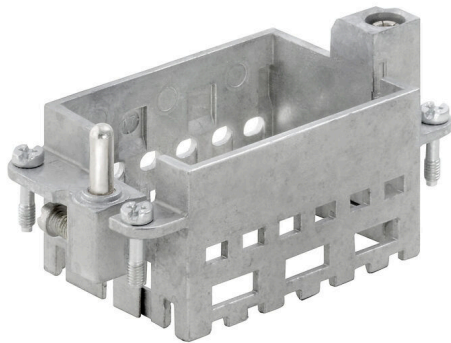


HDC MF 10B AC

Weidmüller Interface GmbH & Co. KG
Klingenbergstraße 26
D-32758 Detmold
Germany

www.weidmueller.com



Simple

The innovative sliding frame has two defined lock-in positions for opening and closing. This enables simple and tool-free module assembly.

General ordering data

| | |
|------------|----------------------------|
| Version | Frame |
| Order No. | 1428960000 |
| Type | HDC MF 10B AC |
| GTIN (EAN) | 4050118233223 |
| Qty. | 1 items |

HDC MF 10B AC

Weidmüller Interface GmbH & Co. KG
Klingenbergstraße 26
D-32758 Detmold
Germany

www.weidmueller.com

Technical data

Approvals

Approvals



ROHS Conform

UL File Number Search [UL Website](#)

Certificate No. (cURus) E92202

Dimensions and weights

| | | | |
|------------|----------|-----------------|-------------|
| Depth | 37.35 mm | Depth (inches) | 1.4705 inch |
| Height | 36.4 mm | Height (inches) | 1.4331 inch |
| Width | 64 mm | Width (inches) | 2.5197 inch |
| Net weight | 67.54 g | | |

Temperatures

Limit temperature -40 °C ... 125 °C

Environmental Product Compliance

RoHS Compliance Status Compliant with exemption

RoHS Exemption (if applicable/known) 6c

REACH SVHC Lead 7439-92-1

SCIP d447edfa-0214-4f34-b5ba-82eae491b46a

General data

| | | | |
|-------------------|--------------|-----------------|----------|
| Installation size | 4 | Plugging cycles | ≥ 500 |
| Basic material | Diecast zinc | Series | ModuPlug |
| Number of slots | 3 | | |

PE connection data

| | | | |
|-------------------------------|---------------------|---------------------------------------|--------------------|
| Connection type PE | Screw connection | Conductor cross-section, max. | 10 mm ² |
| Conductor cross-section, min. | 0.5 mm ² | Tightening torque, max. PE connection | 1.2 Nm |

Classifications

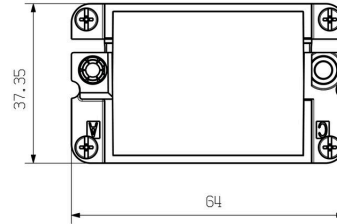
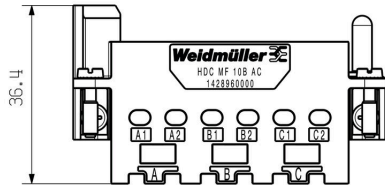
| | | | |
|-------------|-------------|-------------|-------------|
| ETIM 8.0 | EC002312 | ETIM 9.0 | EC002312 |
| ETIM 10.0 | EC002312 | ECLASS 14.0 | 27-44-02-92 |
| ECLASS 15.0 | 27-44-02-92 | | |

HDC MF 10B AC

Weidmüller Interface GmbH & Co. KG
Klingenbergstraße 26
D-32758 Detmold
Germany

Drawings

www.weidmueller.com



HDC MF 10B AC

Weidmüller Interface GmbH & Co. KG
 Klingenbergstraße 26
 D-32758 Detmold
 Germany

www.weidmueller.com

Accessories

Shield lever



In addition to heavy-duty connectors, RockStar® includes the appropriate accessories for effective, functional and safe system cabling; e.g. coding systems, shield clamps, cover plates and replacement seals

General ordering data

| | | | |
|------------|----------------------------|--------------|--|
| Type | HDC MSL 10 | Version | |
| Order No. | 1435420000 | Shield clamp | |
| GTIN (EAN) | 4050118239959 | | |
| Qty. | 1 ST | | |

Miscellaneous



In addition to heavy-duty connectors, RockStar® includes the appropriate accessories for effective, functional and safe system cabling; e.g. coding systems, shield clamps, cover plates and replacement seals

General ordering data

| | | | |
|------------|----------------------------|----------------|--|
| Type | HDC MF CA16 PE | Version | |
| Order No. | 1480940000 | PE extension | |
| GTIN (EAN) | 4050118289657 | | |
| Qty. | 10 ST | | |
| Type | HDC MF FIXING | Version | |
| Order No. | 1480290000 | Transport lock | |
| GTIN (EAN) | 4050118288704 | | |
| Qty. | 20 ST | | |

HDC ModuPlug



Various accessories are available for our inserts. This includes coding elements for the inserts.

HDC MF 10B AC

Weidmüller Interface GmbH & Co. KG
Klingenbergstraße 26
D-32758 Detmold
Germany

www.weidmueller.com

Accessories

General ordering data

| | | |
|------------|----------------------------|---|
| Type | HDC CM GUIDING PIN | Version |
| Order No. | 1202660000 | Heavy-duty connectors, Accessories, Accessories |
| GTIN (EAN) | 4032248985258 | |
| Qty. | 100 ST | |
| Type | HDC CM GUIDING SOCKET | Version |
| Order No. | 1202670000 | Heavy-duty connectors, Accessories, Accessories |
| GTIN (EAN) | 4032248985135 | |
| Qty. | 100 ST | |