

CC-M 70/48 2X3 AL

Weidmüller Interface GmbH & Co. KG

Klingenbergstraße 26

D-32758 Detmold

Germany

www.weidmueller.com



MetalliCards are available in aluminium or stainless steel to meet a wide range of labelling requirements. The chrome-coated aluminium tags are the inexpensive alternative for a variety of applications, and in particular, they prove themselves through the deep contrasts of their multi-colour print. In the technologically demanding chemical and process industries, you are on the safe side when using the stainless steel MetalliCard with its outstanding resistance characteristics. Its formats cover the needs of the entire system-identification spectrum. Whether small equipment or type plates, they ensure high-quality marking processes. The MetalliCard also offers optimum installation characteristics. MetalliCards can be used universally thanks to various fixation options: bonding, riveting, with tag holders or rails, or in combination with stainless steel cable ties.

For custom printing: Please send us a file of our labeling software M-Print PRO or M-Print PRO Online (without installation) for your labeling specifications.

General ordering data

Version	MetalliCard, Device markers, 70 x 48 mm, silver
Order No.	1415720000
Type	CC-M 70/48 2X3 AL
GTIN (EAN)	4050118217094
Qty.	40 items

CC-M 70/48 2X3 AL

Weidmüller Interface GmbH & Co. KG
 Klingenbergstraße 26
 D-32758 Detmold
 Germany

www.weidmueller.com

Technical data

Approvals

ROHS Conform

Dimensions and weights

Depth	0.5 mm	Depth (inches)	0.0197 inch
Height	70 mm	Height (inches)	2.7559 inch
Width	48 mm	Width (inches)	1.8898 inch
Net weight	4.5 g		

Temperatures

Operating temperature range -55...130 °C

Environmental Product Compliance

RoHS Compliance Status Compliant without exemption
 REACH SVHC No SVHC above 0.1 wt%

General data

Version	pluggable, with 3.5 mm mounting hole		
Width	48 mm		
Operating temperature range, max.	130 °C		
Operating temperature range, min.	-55 °C		
Colour	silver		
Basic material	Chrome coated aluminium (AL), Anodized aluminium		
Printed characters	without		
Number of markers per packaging unit	Form of supply	MetalliCard	
Size of labelling field	68 x 46 mm		
Recommended industries	Energy, Process compatible printer		
Number of markers per combination	1 MetalliCard = Device markers		
Operating temperature range	-55...130 °C		

Device markers

Drill-hole diameter 3.30 mm

Classifications

ETIM 8.0	EC001288	ETIM 9.0	EC001288
ETIM 10.0	EC001288	ECLASS 14.0	27-28-11-04
ECLASS 15.0	27-28-11-04		

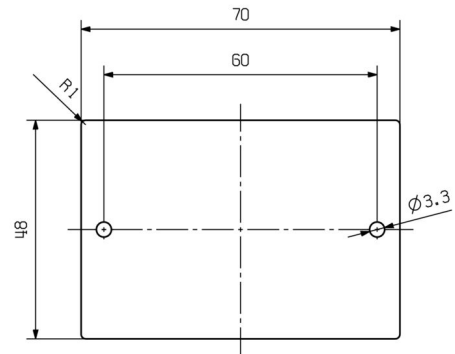
CC-M 70/48 2X3 AL

Weidmüller Interface GmbH & Co. KG
Klingenbergstraße 26
D-32758 Detmold
Germany

Drawings

www.weidmueller.com

Example of use



CC-M 70/48 2X3 AL

Weidmüller Interface GmbH & Co. KG
Klingenbergstraße 26
D-32758 Detmold
Germany

Accessories

www.weidmueller.com

Complementary products



General ordering data

Type	INLAY CC-M 70/48	Version	
Order No.	1415940000		
GTIN (EAN)	4050118217247		
Qty.	1 ST		
Type	PRIMER CC-M	Version	
Order No.	2068020000		
GTIN (EAN)	4050118416534		
Qty.	100 ST		