

PSSR 1PH CONTROL UNIT

Weidmüller Interface GmbH & Co. KG
 Klingenbergstraße 26
 D-32758 Detmold
 Germany

www.weidmueller.com

Product image



- Monitoring of up to 5 consumers connected in parallel
- Monitoring of single failure and short-circuit
- Can be plugged into the single-phase PSSRs with heat sink
- Feedback output for error message
- Teach button on the module and external teach input
- Undercurrent switching threshold: $0.84 \times I_{teach}$

General ordering data

Order No.	1406230000
Type	PSSR 1PH CONTROL UNIT
GTIN (EAN)	4050118206739
Qty.	1 items
Delivery status	Discontinued
Available until	2025-03-27T00:00:00+01:00
Alternative product	PSSRN S 24VDC 1M K 600VAC 30A T

PSSR 1PH CONTROL UNIT

Weidmüller Interface GmbH & Co. KG
 Klingenbergstraße 26
 D-32758 Detmold
 Germany

www.weidmueller.com

Technical data

Approvals

Approvals



ROHS Conform

Dimensions and weights

Depth	65 mm	Depth (inches)	2.5591 inch
Height	112.3 mm	Height (inches)	4.4213 inch
Width	25 mm	Width (inches)	0.9842 inch
Net weight	85 g		

Temperatures

Storage temperature	-40 °C...125 °C	Operating temperature	-40 °C...80 °C
Humidity	40...85 % (indoor) no condensation		

Environmental Product Compliance

RoHS Compliance Status	Compliant
REACH SVHC	Lead 7439-92-1

Supply

Supply voltage	8...30 V DC	Current consumption	≤ 20 mA (feedback output unloaded), ≤ 120 mA (switched feedback output max. loaded)
Protective circuit	Varistor, Reverse polarity protection		

Control side

Rated control voltage (control input)	4...30 V DC	Nominal control current (control input)	≤ 2.5 mA
Rated control voltage (external teach input)	4...30 V DC	Nominal control current (external teach input)	≤ 2.5 mA
Input frequency	10 Hz		

Control output to the PSSR

Solid-state type	Transistor	Nominal switching voltage	8...30 V DC
Switch-on delay	≤ 15 ms	Switch-off delay	≤ 16 ms

Feedback output

Solid-state type	MOS-FET	Nominal switching voltage	8...30 V DC
Continuous current	0.1 A	Switch-on delay	≤ 100 ms
Switch-off delay	≤ 100 ms		

Current monitoring

Undercurrent switching threshold	0.84 x Isetting	Leakage current in PSSR output, max.	0.3 A
----------------------------------	-----------------	--------------------------------------	-------

PSSR 1PH CONTROL UNIT

Weidmüller Interface GmbH & Co. KG

Klingenbergstraße 26
D-32758 Detmold
Germany

www.weidmueller.com

Technical data

Current transformer

Current measurement range AC, max.	40 A	Current measurement range AC, min.	2 A
Current sensor hole diameter	9 mm		

General data

Colour	black
--------	-------

Insulation coordination

Pollution severity	2	Surge voltage category	III
Protection degree	IP20		

Connection data

Wire connection method	Screw connection	Tightening torque, min.	0.4 Nm
Tightening torque, max.	0.5 Nm	Clamping range, rated connection	1.5 mm ²
Clamping range, min.	0.15 mm ²	Clamping range, max.	2.5 mm ²
Wire connection cross section, finely stranded, min.	0.2 mm ²	Wire connection cross section, finely stranded, max.	1.5 mm ²
Wire cross-section, finely stranded, min. (AWG)	AWG 26	Wire cross-section, finely stranded, max. (AWG)	AWG 12
Conductor cross-section, flexible, AEH (DIN 46228-1), min.	0.2 mm ²	Conductor cross-section, flexible, AEH (DIN 46228-1), max.	1.5 mm ²
Blade size	0.6 x 3.5 mm		

Classifications

ETIM 8.0	EC001440	ETIM 9.0	EC001440
ETIM 10.0	EC001440	ECLASS 14.0	27-37-18-02
ECLASS 15.0	27-37-18-02		

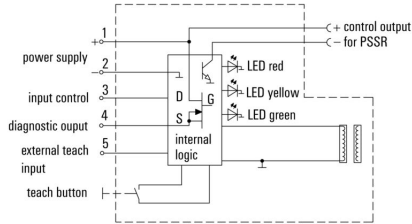
PSSR 1PH CONTROL UNIT

Weidmüller Interface GmbH & Co. KG
 Klingenbergstraße 26
 D-32758 Detmold
 Germany

www.weidmueller.com

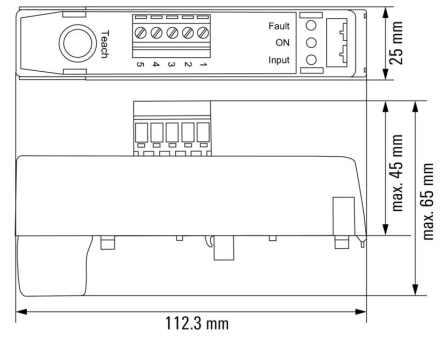
Drawings

Wiring diagram



Schaltymbol

Dimensional drawing

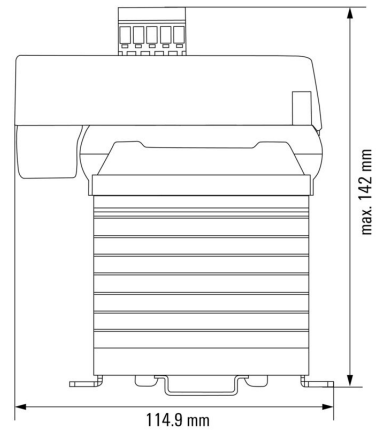


Example of use



Current monitoring module mounted on a single-phase PSSR

Dimensional drawing



Dimensions of a current-monitoring module mounted on a single-phase PSSR

PSSR 1PH CONTROL UNIT

Weidmüller Interface GmbH & Co. KG
Klingenbergstraße 26
D-32758 Detmold
Germany

www.weidmueller.com

Accessories

Slotted screwdriver

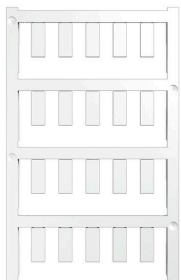


Slotted screwdriver with rounded blade SD DIN 5265, ISO 2380/2, output to DIN 5264, ISO 2380/1. ChromTop tip, SoftFinish grip

General ordering data

Type	SDS 0.6X3.5X100	Version	
Order No.	2749340000	Screwdriver, Blade width (B): 3.5 mm, Blade length: 100 mm, Blade thickness (A): 0.6 mm	
GTIN (EAN)	4050118895568		
Qty.	1 ST		

Blank



ESG is the tried-and-tested marker in MultiCard format for use on many well-known electrical devices. The result is high-quality device marking with a high-contrast appearance.

Various types are available for devices from manufacturers like Siemens, ABB, Beckhoff etc.

Advantages at a glance:

- Tags for universal usage, self-adhesive or clip-on tags, depending on type
- For aligned equipment, e.g. circuit breakers, we supply ESG markers for clipping onto tag rails
- Individual laser-quality printing according to specifications

For custom printing: Please send us a file of our labeling software M-Print PRO or M-Print PRO Online (without installation) for your labeling specifications.

General ordering data

Type	ESG 6/15 RIDER MC NE WS	Version	
Order No.	1881280000	ESG, Device markers x 15 mm, PA 66, Colour: white, pluggable	
GTIN (EAN)	4032248482276		
Qty.	200 ST		

ESG 6/15



Guaranteed long service life: ESG

The multi-colour and multi-format labels have a strong adhesive layer to ensure the best possible adhesion to the underlying surface. Double laminated polyester makes the basic material very thin and yet extremely tear-resistant.

Your benefits with MultiMark

- "Different materials for various requirements"
- Can be used with equipment from many manufacturers
- Device markers with a familiar design

PSSR 1PH CONTROL UNIT

Weidmüller Interface GmbH & Co. KG
 Klingenbergstraße 26
 D-32758 Detmold
 Germany

www.weidmueller.com

Accessories

General ordering data

Type	ESG 6/15 MM WS	Version	
Order No.	2619940000	ESG, Device markers, 6 x 15 mm, white	
GTIN (EAN)	4050118626148		
Qty.	3000 ST		

ESG 6/17



Guaranteed long service life: ESG

The multi-colour and multi-format labels have a strong adhesive layer to ensure the best possible adhesion to the underlying surface. Double laminated polyester makes the basic material very thin and yet extremely tear-resistant.

Your benefits with MultiMark

- “Different materials for various requirements”
- Can be used with equipment from many manufacturers
- Device markers with a familiar design

General ordering data

Type	ESG 6/17 MM WS	Version	
Order No.	2005100000	ESG, Device markers, 6 x 17 mm, white	
GTIN (EAN)	4050118390728		
Qty.	3000 ST		